



TURN SIGNAL MIRRORS

1431

WITH FLAT GLASS

NECESSARY HARDWARE AND LOAD EQUALIZER INCLUDED FOR A VARIETY OF H-D MOUNTING APPLICATIONS; NOT RECOMMENDED FOR BUCKHORN HANDLEBARS OR '04-'06 XL MODELS. NOT D.O.T. APPROVED

PARTS INCLUDED

- 1 Left Side Mirror with Flat Glass
- 1 Right Side Mirror with Flat Glass
- 1 Hardware Kit, including:
 - 2 5/16-18 x 1-1/2" SHCS Fastener, zinc
 - 2 5/16-18 x 2" SHCS Fastener, zinc
 - 2 5/16" ID Split Lock Washer, chrome
 - 2 5/16" ID Internal Tooth Lock Washer
 - 2 Double-ended Threaded Stud
 - 1 Load Equalizer
 - 1 1/8" Allen Wrench
- 1 Installation Instructions

Please read and understand entire instructions before starting installation.

THANK YOU FOR CHOOSING KÜRYAKYN!

IN ORDER TO PROTECT YOU AND OTHERS FROM POSSIBLE INJURY AND/OR PROPERTY DAMAGE OR LOSS, PLEASE PAY CLOSE ATTENTION TO ALL INSTRUCTIONS, WARNINGS, CAUTIONS AND ATTENTION NOTES REGARDING THE USE AND CARE OF THIS PRODUCT.

WARNING! THIS INDICATION ALERTS YOU TO THE FACT THAT IGNORING THE CONTENTS DESCRIBED HEREIN CAN RESULT IN POTENTIAL DEATH OR SERIOUS INJURY.

CAUTION! This indication alerts you to the fact that ignoring the contents described herein can result in potential injury or material damage.

ATTENTION! This indication alerts you to the fact that ignoring the contents described herein may negatively affect product performance and functionality.

TOOLS SUGGESTED

Allen wrenches, combination wrenches, wire cutters, wire strippers, wire crimpers, splicing and insulating supplies, red Loctite.

STRICTLY OBSERVE THE FOLLOWING GUIDELINES IN ORDER TO USE THE PRODUCT PROPERLY AND AVOID POTENTIALLY DANGEROUS ACCIDENTS.

NOTE The included 1/8" Allen Wrench is only used in P/N's 1428, 1430, 1437 & 1438 to adjust the two fasteners which control the swivel ball tension.

-cont.-

CUSTOMER SERVICE

877.370.3604 (toll free)

INSTALLATION QUESTIONS

techsupport@kuryakyn.com
or call 715.247.2983

LIMITED WARRANTY

Kuryakyn warrants that any Kuryakyn products sold hereunder, shall be free of defects in materials and workmanship for a period of one (1) year from the date of purchase by the consumer excepting the following provisions:

- Kuryakyn shall have no obligation in the event the customer is unable to provide a receipt showing the date the customer purchased the product(s).
- The product must be properly installed, maintained and operated under normal conditions.
- Kuryakyn makes no warranty, expressed or implied, with respect to any gold plated products.
- Kuryakyn shall not be liable for any consequential and incidental damages, including labor and paint, resulting from failure of a Kuryakyn product, failure to deliver, delay in delivery, delivery in nonconforming condition, or for any breach of contract or duty between Kuryakyn and a customer.
- Kuryakyn products are often intended for use in specific applications. Kuryakyn makes no warranty if a Kuryakyn product is used in applications other than intended.
- Kuryakyn electrical products are warranted for one (1) year from the date of purchase by the consumer. Components of Kuryakyn products containing L.E.D.s will be warranted for defects in materials and workmanship for 3 years from the date of purchase.
- Kuryakyn makes no warranty of any kind in regard to other manufacturer's products distributed by Kuryakyn. Kuryakyn will pass on all warranties made by the manufacturer and where possible, will expedite the claim on behalf of the customer, but ultimately, responsibility for disposition of the warranty claim lies with the manufacturer.

ABOUT OUR CATALOG

You'll find all our innovations for H-D, GL and Metric Cruisers in our annual catalogs. Order online today—select the "CATALOGS" icon. Each Kuryakyn product comes with a Proof-of-Purchase good for a complimentary catalog. Details in packaging.

Be sure to ask your local dealer about other Kuryakyn products, the motorcycle parts and accessories designed for riders by riders.

©2005 Kuryakyn USA All Rights reserved.



ATTENTION! It is the installers' responsibility to make sure all fasteners (including pre-assembled) are tightened before operation of motorcycle. Kuryakyn will not warranty components that are lost due to improper installation. Periodic maintenance may be required.

PROCEDURE

STEP 1 Remove the stock mirrors; refer to your factory service manual for specific instructions.

TURN SIGNAL MOUNTED UNDER THE MIRROR:

STEP 2 Apply a dab of red Loctite to the short threaded end of the double-ended threaded stud; install in the mirror stem and tighten securely. Tighten the set screw at the bottom of the mirror stem against the threaded stud.

NOTE Ensure that the setscrew in the mirror stem does not prevent the stud from being fully installed. See [PIC.1](#).

STEP 3 Remove the turn signal assembly from the stock mirror; refer to your factory service manual for specific instructions.

STEP 4 Install an internal tooth lock washer over the shaft of the double-ended threaded stud then install the mirror and stud assembly into the hand control.

STEP 5 Reassemble the turn signal ball joint; adjust the position of the turn signal light then tighten securely. Refer to your factory service manual for specific instructions.

TURN SIGNAL NOT MOUNTED UNDER THE MIRROR

STEP 6 Several fasteners are included with the installation kit; choose the correct fastener length for your application. Use the split washer and fastener combination that will provide the most thread engagement without bottoming out the mirror stem.

STEP 7 Install a split lock washer over the fastener shaft then insert the fastener through the bottom of the hand control, then through the turn signal mounting plate (if applicable).

NOTE Ensure that the setscrew in the mirror stem does not prevent the stud from being fully installed. See [PIC.1](#).

STEP 8 Install an internal tooth lock washer over the fastener shaft then tighten the mirror stem. Tighten the set screw at the bottom of the mirror stem against the threaded stud.

WIRING THE TURN SIGNALS

STEP 9 Identify the stock turn signal wiring harness; refer to your factory service manual to locate the harness.

STEP 10 Splice into the stock turn signal wiring harness and connect the new harness. Refer to [FIG.1](#) for normal flash and running light function. Refer to [FIG.2](#) if you want a more prominent flash mode (this will eliminate the running light function). Carefully insulate your splices and secure the wiring away from any pinch points or excessive heat.

PIC.1



FIG.1

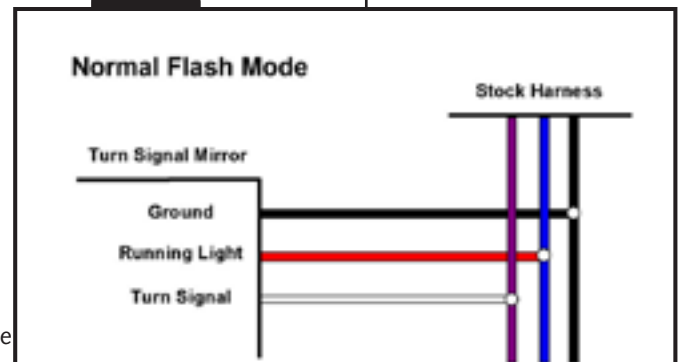
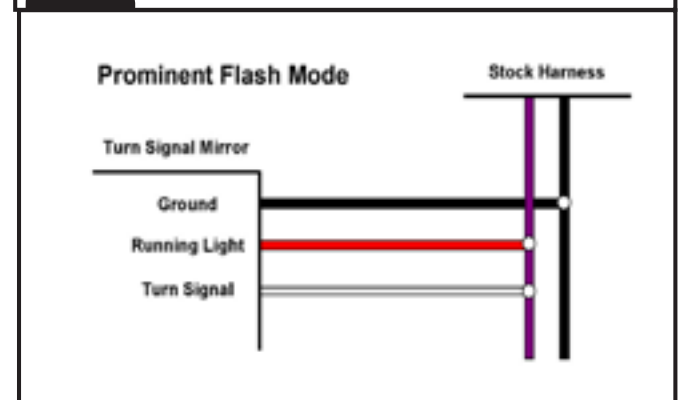


FIG.2



-cont.-

ATTENTION! If the new turn signals are replacing the stock front turn signals, you must install the supplied load equalizer. If the new turn signals will be used in conjunction with the stock front turn signals, you will not need to install the load equalizer.

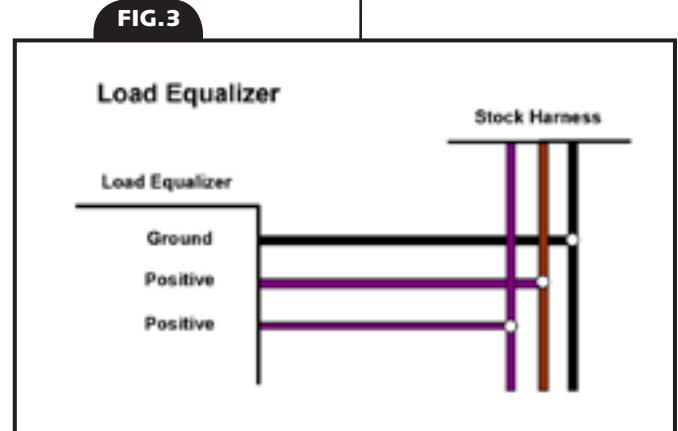
ATTENTION! For bikes using Küryakyn Panacea taillights, any additional load equalizers must be wired in upstream of the Panacea control module.

STEP 11 Remove the seat and identify the main wiring harness going to the tail lights and rear turn signals; refer to your factory service manual for harness location.

STEP 12 Splice into the stock harness and connect the load equalizer, refer to [FIG.3](#). Carefully insulate your splices and secure the wiring away from any pinch points or excessive heat.

STEP 13 Load equalizers generate heat when in use; secure the load equalizer away from any heat sensitive components. We recommend securing the load equalizer to the bike frame as this will act as a heat sink, helping to cool the load equalizer.

WARNING! LOAD EQUALIZERS GENERATE HEAT WHEN IN USE. AVOID USING THE TURN SIGNALS FOR AN EXTENDED PERIOD OF TIME, OTHERWISE THE LOAD EQUALIZER WILL OVERHEAT. NEVER OPERATE THE FOUR-WAY FLASHERS UNLESS YOU FIRST REMOVE THE LOAD EQUALIZER. OVERHEATING DAMAGES THE LOAD EQUALIZER, CAUSING LOSS OF TURN SIGNAL OPERATION AND CREATING A POTENTIAL FIRE HAZARD!



Ride On!