



## Custom Dynamics® Lower Saddlebag Side Marker LED Lights Installation Instructions

We thank you for purchasing the Custom Dynamics® Lower Saddlebag Side Marker LED Lights. Our products utilize the latest technology and high quality components to ensure you the most reliable service. We offer one of the best warranty programs in the industry and we back our products with excellent customer support, if you have questions before or during installation of this product please call Custom Dynamics® at 1(800) 382-1388.

**Part Numbers:** CD-SB-SIDE-RB CD-SB-SIDE-RC  
CD-SB-SIDE-SB CD-SB-SIDE-SC

**Package Contents:**

- Lower Saddlebag Side Mark LED Light (Pair)
- BCM Y Harness Adapter w/ Plugs (1)
- 4" Tie Wraps (10)
- Wire Tie Holder (6)

**Fitment:** 2014-2022 Harley-Davidson® Street Glide (FLHX), Road Glide (FLTRX), Road King (FLHR), Ultra Classic (FLHTCU), Ultra Classic Low (FLHTCUL), Ultra Limited (FLHTK), Ultra Limited Low (FLHTKL), Limited CVO™ (FLHTKSE), 2014-2017 Street Glide Special (FLHXS), Road Glide Special (FLTRXS), 2022 Street Glide ST (FLHXST) and Road Glide ST (FLTRXST), 2015-2016 Road Glide Ultra CVO™ (FLTRUSE), 2016-2019 Road Glide Ultra (FLTRU), 2020-2022 Road Glide Limited (FLTRK) 2022 Road Glide Limited CVO™ (FLTRKSE) & 2019-2022 Electra Glide Standard (FLHT).

**Note:** Functions as Run/Brake/Turn on most models (Run & Turn Only function on all FLHXST, FLTRXST, FLHR and FLHT, 14-15 FLHTKSE and 15 FLTRUSE)

**Note:** Compatible with OE standard saddlebags only; Not compatible with models equipped with stretched saddlebags.



### Installation:

1. Remove the Saddlebags from the bike.
2. Remove the seat on the bike and locate the 6 pin connector going to the rear fender lighting. Unplug and install the BCM Y Harness adapter in line with the rear fender lighting.
3. Test fit the Lower Saddlebag Side Marker LED Lights on each Saddlebag.
4. Clean the mounting surface area of both Saddlebags with denatured alcohol and allow to dry.
5. Remove the red protective film of the 3M™ tape from the back of Lower Saddlebag Side Marker LED Lights.
6. Firmly press the Lower Saddlebag Side Marker LED Lights into place on the Saddlebag. Apply pressure evenly over the Lower Saddlebag Side Marker LED Lights to ensure the tape is applied evenly.
7. Clean the surface area locations for the tie wrap holders with denatured alcohol. Remove paper backing from cable tie holders and press into place. Refer to Photo 1.



## ATTENTION

Please read all Information below before Installation

**Warning:** Disconnect negative battery cable from battery; refer to owner's manual. Failure to do so may result in electrical shock, injury, or fire. Secure negative battery cable away from positive side of battery and all other positive voltage sources on vehicle.

**Safety First:** Always wear appropriate safety gear including safety glasses when performing any electrical work. It is highly recommended that safety glasses be worn throughout this installation process. Be sure vehicle is on level surface, secure and cool.

**Important:** This product is designed and intended for use as auxiliary lighting only. It is NOT intended to replace any original equipment lighting installed on the vehicle and should not be used for that purpose. This product must be wired so that it does not interfere with any original equipment lighting.

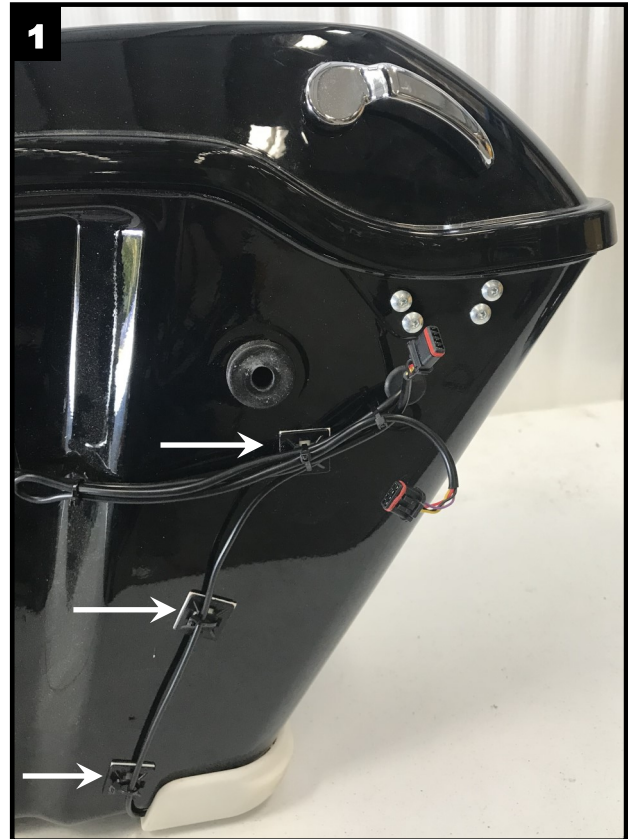
**Important:** Ambient install temperature must be 60 degrees F or higher. Allow 24 hours for tape to cure before washing or prolonged use of vehicle.

Questions? Call us at: 1 (800) 382-1388 M-TH 8:30AM-5:30PM / FR 9:30AM-5:30PM EST

## Installation Instructions - Page 2.

### Installation:

8. Route wiring harness from each Lower Saddlebag Side Marker LED Light to each tie wrap holder location and secure with enclosed tie wraps. Refer to Photo 1.
9. Reinstall saddle bags. Connect 3 pin plugs from Lower Saddlebag Side Marker LED Lights to Y adapter making sure female with purple wire plugs in male with purple wire, and female with brown wire plugs into male with brown wire. (See different configurations on page 3)
10. Secure wires with the included tie wraps, make sure wiring will not come in contact with moving parts or in an area with high heat. Also take care that wires will not get pinched or frayed and then reinstall seat.
11. Perform a BCM sync by turning key on, turn 4 way hazards on, turn key off. Allow hazards to run for 3-4 minutes. Turn Key on, Turn Hazards off, Turn Key off.
12. Test operation of running, brake and turn signal lights.

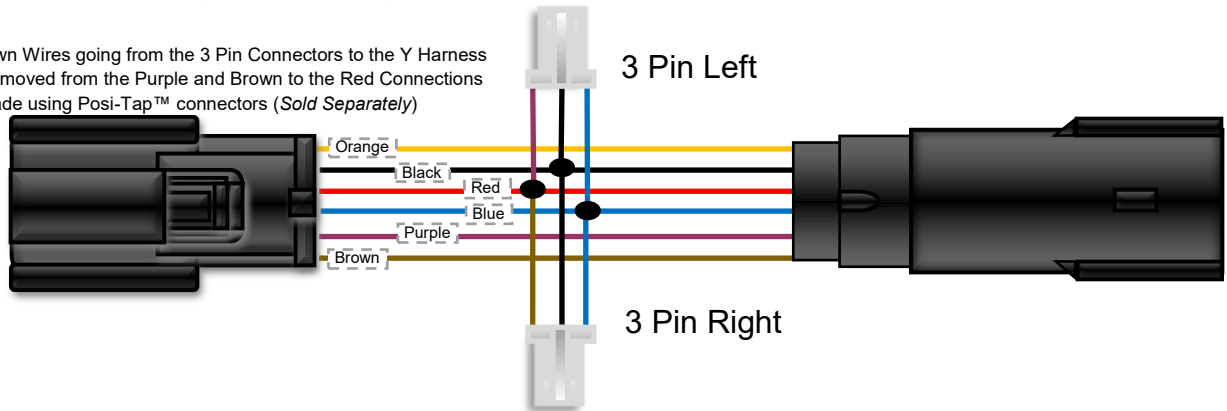


# Installation Instructions - Page 3.

## Run-Brake Modification

For US Models 2014-2021 Road King® Standard, 2014-2015 Limited CVO™ & 2015 Road Glide Ultra CVO™, 2022 Road Glide ST, 2022 Street Glide ST.

\*Purple and Brown Wires going from the 3 Pin Connectors to the Y Harness must be cut and moved from the Purple and Brown to the Red Connections can easily be made using Posi-Tap™ connectors (Sold Separately)

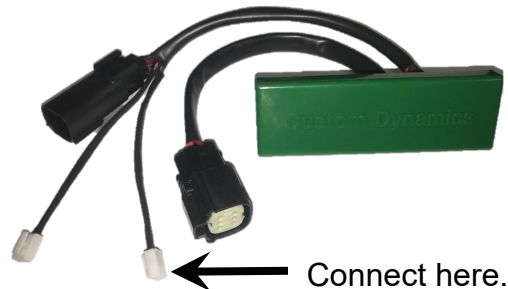
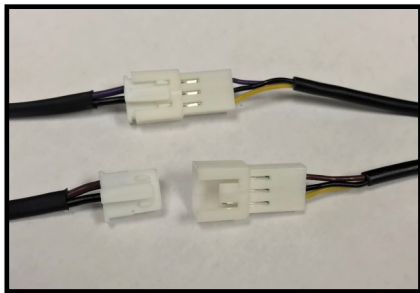


## Run-Brake-Turn Modification

For 2014-2021 Road King® Standard, 2014-2015 Limited CVO™ & 2015 Road Glide Ultra CVO™, 2022 Road Glide ST, 2022 Street Glide ST

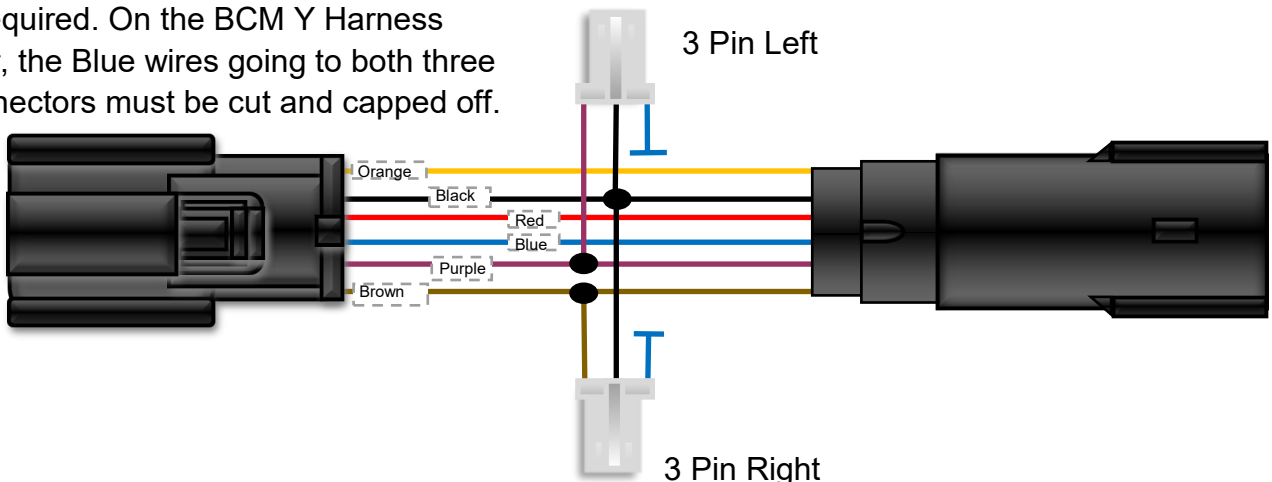
### Plug-N-Play with SMART Triple Play® accessory plugs

\*SMART Triple Play® with accessory plugs required. The provided BCM Y harness will not be used. The two 3 pin connectors that extend from the output side of the Smart Triple Play® module allow for plug and play installation. Simply plug in the left side (purple) and right side (brown) female connectors from the Smart Triple Play® to the corresponding male connectors on the product.



### SMART Triple Play® without accessory plugs

\*SMART Triple Play® without accessory plugs required. On the BCM Y Harness Adapter, the Blue wires going to both three pin connectors must be cut and capped off.



Questions? Call us at: 1 (800) 382-1388 M-TH 8:30AM-5:30PM / FR 9:30AM-5:30PM EST