



## Custom Dynamics® Fillerz™ LED Inserts Installation Instructions

We thank you for purchasing the Custom Dynamics® Fillerz™ LED Inserts! Our products utilize the latest technology and high quality components to ensure you the most reliable service. We offer one of the best warranty programs in the industry and we back our products with excellent customer support, if you have questions before or during installation of this product please call Custom Dynamics® at 1(800) 382-1388.

**Part Number: GEN-FDRS**

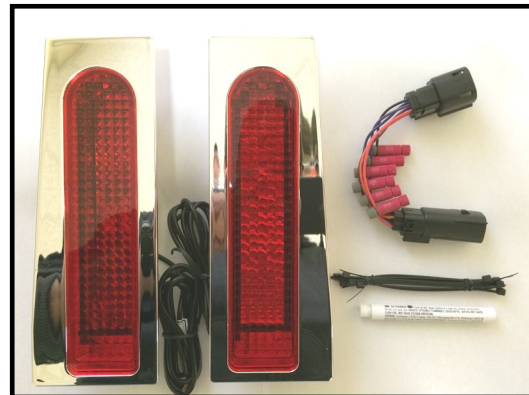
### Package Contents:

- Fillerz™ LED Inserts (pair)
- MPR-BCM 6 Pin Adapter (1)
- 4" Tie Wrap (10)
- Alcohol Wipe (1)

Fits 2014 & Up Electra Glide Ultra Classic/Low, Ultra Limited/Low, Road King



Note: Road King Applications require a run-brake-turn controller to achieve run-brake-turn function with this product. Controller sold separately.



### Installation

1. Remove the hard bags to allow access to the fender supports on the fender.
2. Remove the MPR-BCM adapter from the package and install the 4 red Posi-Tap™ connectors onto the black, blue, purple and brown wires as shown in the diagram on back. (See Posi-Tap™ instructions to the right)
3. Remove the main seat on the bike and locate the 6 pin connector going to the rear fender. Unplug and install the MPR-BCM adapter in line. (see photo for location)
4. Apply the provided alcohol wipe onto the surface of the fender supports, allow 3-4 minutes to dry.
5. Verify Left and Right Fillerz™ panels before installing, remove the red backing from the unit, then line up the bottom edge of panel with bottom edge of fender support. Push unit into place until the tabs click. Apply pressure evenly over the panel to ensure the tape is applied evenly.
6. Route the wires from Fillerz™ along the fender support, using the provided 4" tie-wraps to secure where needed. Bring wiring to the MPR-BCM location .
7. Use the wiring diagram on page 2 to wire in the Fillerz™. The Connectors on the MPR-BCM are easy to use, as noted in the picture above.
8. Once wiring is completed, test function.

**Posi-Tap™**  
TAP CONNECTOR

**QUICK & EASY**

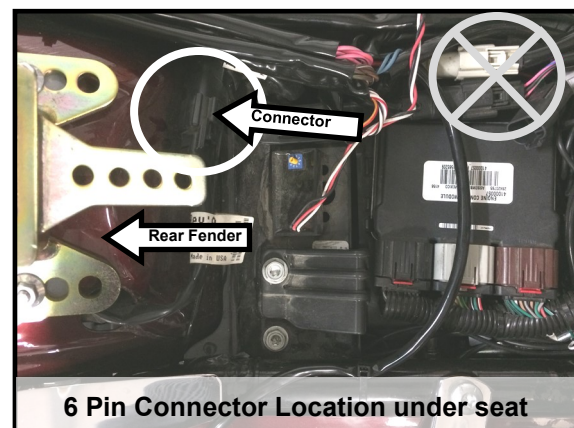
1. Insert Hot Wire
2. Tighten
3. Strip Leads
4. Insert & Tighten

- TAPS WIRES WITHOUT CUTTING
- TOTAL WIRE INTEGRITY IS MAINTAINED
- INSTALLS IN SECONDS BY HAND
- NO CRIMPING OR TOOLS REQUIRED
- REUSABLE OR PERMANENT
- LESS RESISTANCE
- VIBRATION PROOF
- FULLY INSULATED

**POWERS UP TO (4) LEADS AT ONCE!**

**NO CRIMPING**

**NO TOOLS NEEDED**



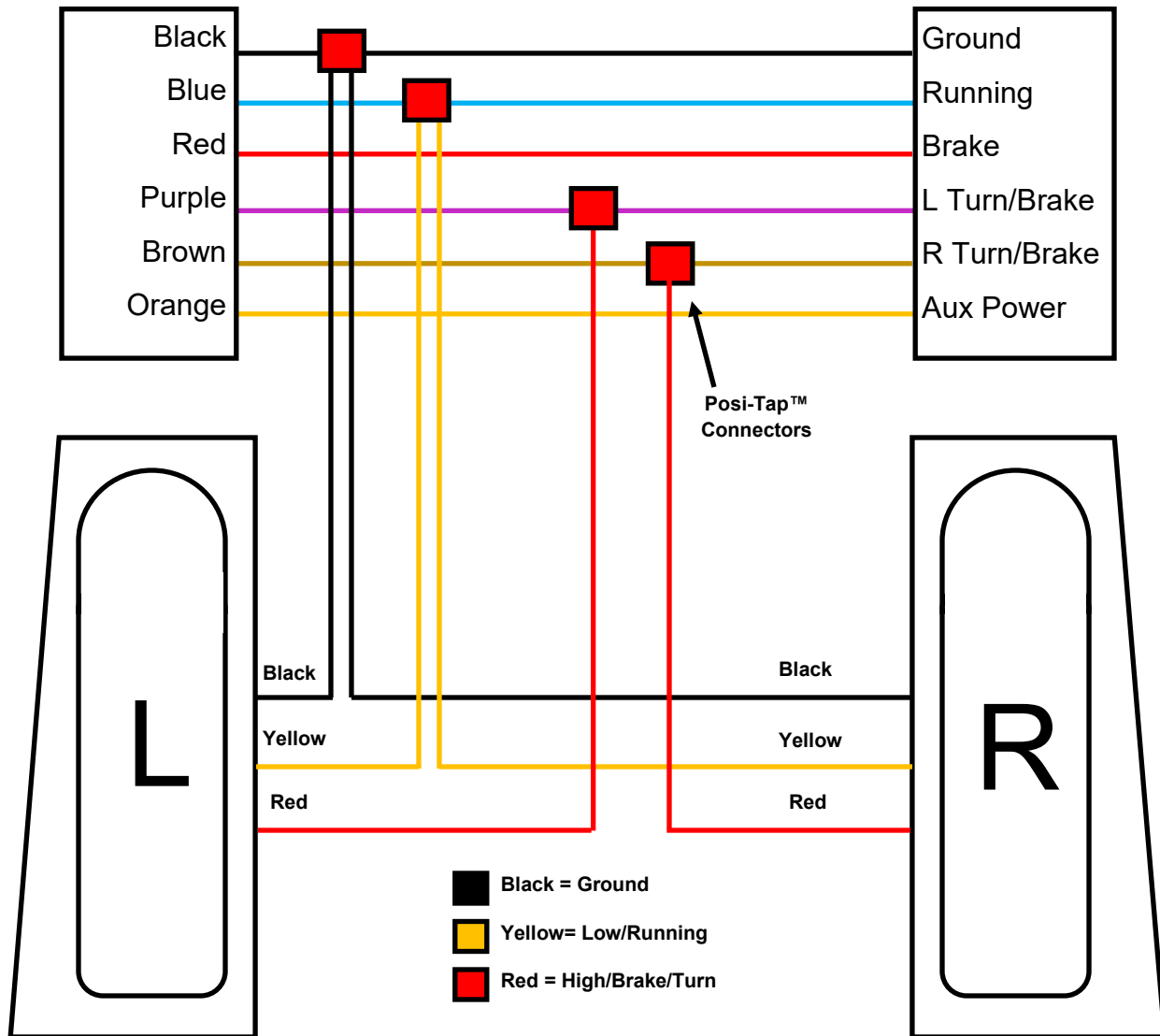
**6 Pin Connector Location under seat**

**Questions? Call us at: 1 (800) 382-1388 M-TH 8:30AM-5:30PM / FR 9:30AM-5:30PM EST**

# Installation Instructions - Page 2

## MPR-BCM Diagram With Fillerz™ as Run-Brake and Turn

Before Installing the MPR-BCM adapter, install the included Posi-Tap™ connectors onto the wires in a staggered formation as shown below. The gray side of the Posi attaches to the MPR, the red side is the connection to the LED's.



**Notice:** This product is designed and intended for use as auxiliary lighting on motorcycles only. This product is NOT intended to replace any original equipment lighting installed on the motorcycle and should not be used for that purpose. This product must be wired such that it does not interfere with any original equipment lighting.

Questions? Call us at: 1 (800) 382-1388 M-TH 8:30AM-5:30PM / FR 9:30AM-5:30PM EST