



# Shark Demon™ 2.0 Universal LED Headlight

Finish  
Black

CD#  
SD2-HL-W

Drag#  
20012792

## The Way to See and Be Seen!

- ✔ Specialized for Motorcycle On Road Use
- ✔ High and Low Beam Functions
- ✔ Brighter than OEM Headlights (More Lumens)
- ✔ Wide, Ditch-To-Ditch Beam Pattern
- ✔ Long Lifespan LED Technology
- ✔ DOT Compliant Design
- ✔ Gloss Black Aluminum Housings
- ✔ Durable Polycarbonate Clear Lens
- ✔ 5800–6500K Daylight Color Temperature
- ✔ Waterproof (IP67 Ingress Protection Rating)
- ✔ Engineered in the USA
- ✔ Lifetime Warranty
- ✔ Patents Pending



The headlight comes with a universal wiring harness and side mount hardware. Bracket sold separately. Please refer to our website or call us for fitment instructions.

### General Specifications

Outer Lens Material / Color	Polycarbonate / Clear	
Housing Material	Die Cast Aluminum	
Weight	3.7 lbs	4.95 lbs (Packaged)
#LEDs Low Beam	3 High-Power LEDs	
#LEDs High Beam <sup>1</sup>	7 High-Power LEDs	
Connector	Universal Solder Seals	

### Lighting Specifications (see Beam Pattern on Page 2)

Raw <sup>2</sup> Output	3,600 lm (Low Beam)	9,080 lm (High Beam)
Effective <sup>3</sup> Output	2,651 lm (Low Beam)	4,485 lm (High Beam)
Nominal Color Temperature	5800–6500K (Daylight White)	

### Electrical Specifications

Operating Voltage (DC)	11.5 to 16 VDC (Nominal Voltage 12 VDC)	
Current Draw (@14.4V)	2A (Low Beam)	2.9A (High Beam)
Actual Power (@14.4V)	29W (Low Beam)	42W (High Beam)



DOT Compliant



Waterproof



Lifetime Warranty

<sup>1</sup> Includes LEDs from Low Beam.

<sup>2</sup> Raw Lumens: Maximum calculated light output based on component ratings.

<sup>3</sup> Effective Lumens: Actual measured light output considering real-world losses after a specified run time.



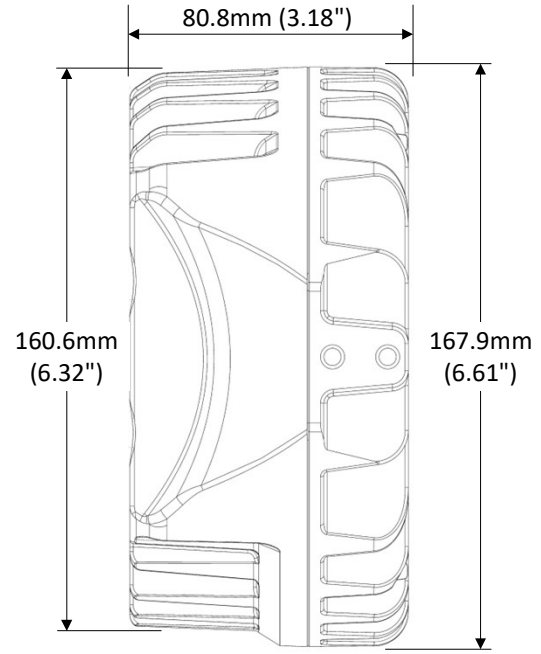
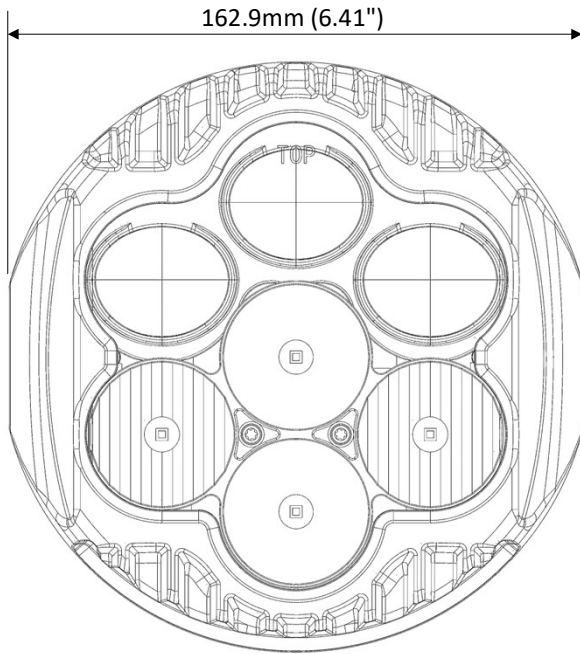
# Shark Demon™ 2.0 Universal LED Headlight

Finish  
Black

CD#  
SD2-HL-W

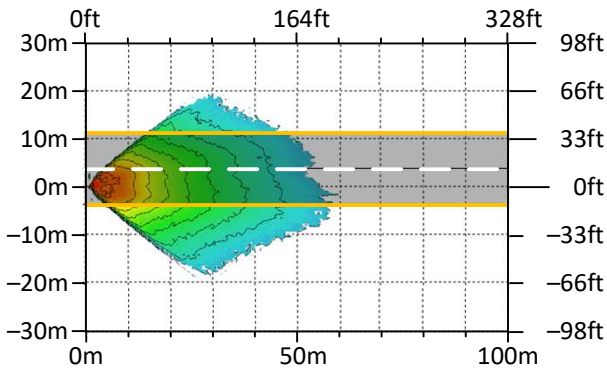
Drag#  
20012792

## Dimensions



## Beam Patterns

### Low Beam



- 10m (33 ft) = 200 lux
- 35m (115 ft) = 10 lux
- 55m (180 ft) = 1 lux
- 20m (65 ft) = 300 lux
- 120m (394 ft) = 10 lux
- 290m (951 ft) = 1 lux

### High Beam

