



# Shark Demon® LED FOG LIGHTS

For On and Off-Road Use

CD#  
SD-OR-FOG-W

Drag#  
20013084



Mounting bracket, hardware, and installation supplies included.  
Please refer to our website or call us for fitment instructions.

## The Way to See and Be Seen!

- ✓ Aggressive, Industrial Styling
- ✓ Vertical or Horizontal Mounting Options
- ✓ Super Light Weight Design
- ✓ Adjustable, Wide, Ditch-To-Ditch Beam Pattern
- ✓ Long Lifespan LED Technology
- ✓ SAE & ECE Compliant Design
- ✓ Gloss Black Aluminum Housings
- ✓ Durable Polycarbonate Lenses
- ✓ Unmatched Clarity In Clear Weather
- ✓ Effortless Plug 'n' Play Installation
- ✓ Waterproof (IP67 Ingress Protection Rating)
- ✓ Engineered in the USA
- ✓ Lifetime Warranty
- ✓ Patents Pending

### General Specifications

Outer Lens Material	Polycarbonate	
Lens Color	Clear	
Housing Material	Die Cast Aluminum	
Housing Color	Gloss Black	
Weight	18oz	2.43 lbs (Packaged)
Mounting Holes	6mm (2) & 8mm (2)	
Connector	MX19004S51 (4-pin JAE)	

### Lighting Specifications (see Beam Pattern on Page 2)

Raw <sup>1</sup> Output	2070 lm
Effective <sup>2</sup> Output	1040 lm
Color Temperature	5800–6500K (Daylight White)

### Electrical Specifications

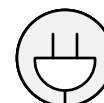
Operating Voltage (DC)	11.5 to 16 VDC (Nominal Voltage 12 VDC)
Current Draw (@14.4V)	1A
Actual Power (@14.4V)	14.4W



SAE Compliant



ECE Compliant



Plug 'n' Play



Lifetime  
Warranty

<sup>1</sup> Raw Lumens: Maximum calculated light output based on component ratings.

<sup>2</sup> Effective Lumens: Actual measured light output considering real-world losses after a specified run time.



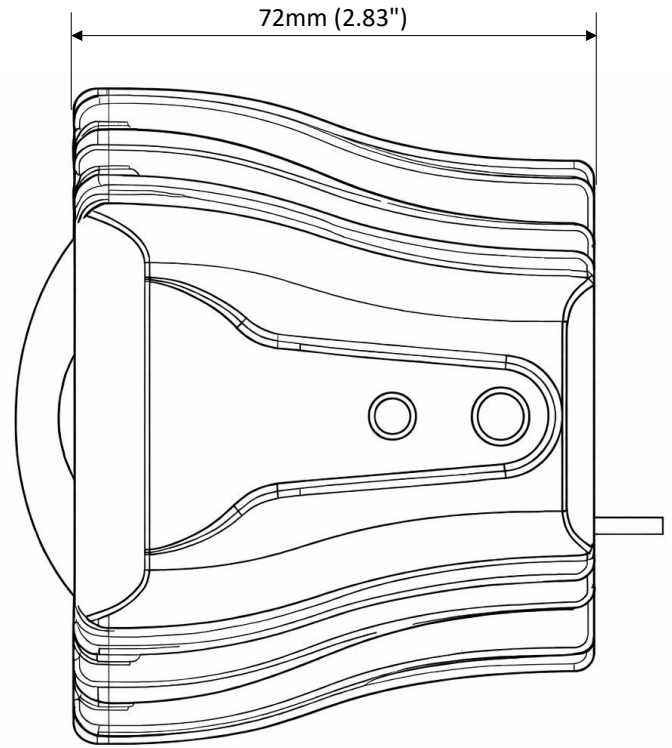
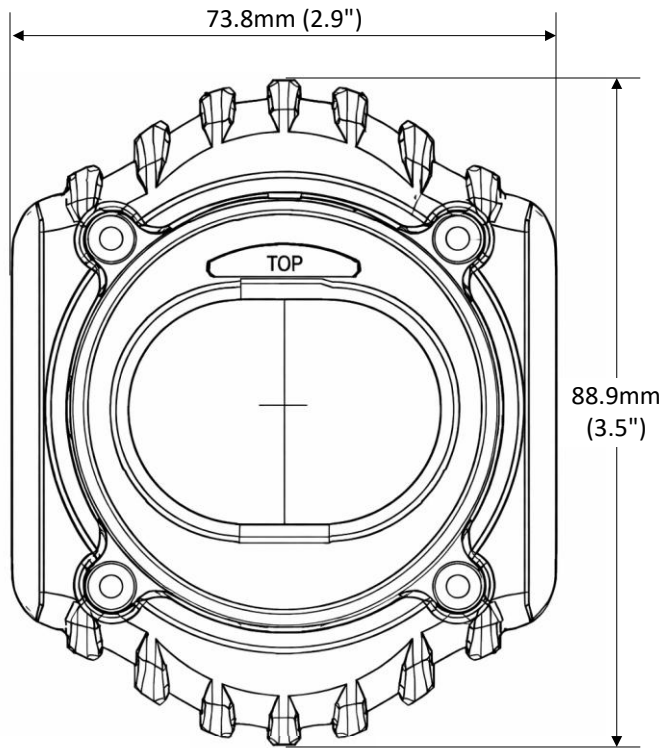
# Shark Demon® LED FOG LIGHTS

For On and Off-Road Use

CD#  
SD-OR-FOG-W

Drag#  
20013084

## Dimensions



## Fog Beam Pattern

