



Custom Dynamics® Stingerz® M109 Rear Turn Signal Array Installation Instructions

We thank you for purchasing the Custom Dynamics® Stingerz® M109 Rear Turn Signal Array. Our products utilize the latest technology and high quality components to ensure you the most reliable service. We offer one of the best warranty programs in the industry and we back our products with excellent customer support, if you have questions before or during installation of this product please call Custom Dynamics® at 1(800) 382-1388.

Part Numbers: M109-REAR-ARRAY-RED

Installation Instructions

Package Contents:

- M109-REAR-ARRAY-RED (1)
- Posi-Lock™ (3)
- Adhesive Primer (1)

Remove rear fender outer cover and rear inner fender assembly from bike. (picture 1)



Mark rear inner fender for cutting along line shown in white. (picture 2)



To ease cutting of inner fender, remove plate light from inner fender. (picture 3)



Fitment: 2006-2015 Suzuki M109/M90



ATTENTION

Please read all Information below before Installation

Warning: Disconnect negative battery cable from battery; refer to owner's manual. Failure to do so may result in electrical shock, injury or fire. Secure negative battery cable away from positive side of battery and all other positive voltage sources on vehicle.

Safety First: Make sure the bike is parked on a level surface and bike's mechanical components are cool to the touch.

Note: When using any LED turn signal on a M109 we recommend changing the flasher to our load dependent M109EDFR flasher for proper flash rate.

Note: Custom Dynamics® turn signals are polarity sensitive. Please confirm colored wire from turn signal is going to power wire for turn signal, and black is going to ground.

Questions? Call us at: 1 (800) 382-1388 M-TH 8:30AM-5:30PM / FR 9:30AM-5:30PM EST

Installation Instructions - Page 2



Using a razor cutter, hacksaw or cutting device of your choice, cut inner fender along this line. (pictures 4 & 5)



Clean cut line until smooth and flat as shown. (picture 6)



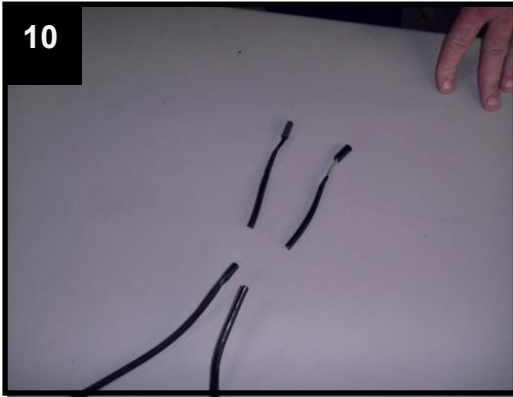
Lay turn signal onto underside of inner fender noting location where wires from turn signal end. Using a 3/16 drill bit drill holes in inner fender for wires to pass through. (picture 7)



Using the provided adhesive primer, apply to the surface where turn signal will sit. Allow adhesive primer to dry thoroughly before applying tape. (picture 8)



Remove backing from tape on turn signal and carefully install turn signal onto inner fender being sure to center turn signal onto inner fender. Press turn signal firmly into place once centered. Run wires from turn signal through holes drilled in step 6. (picture 9) Reinstall fender on bike.

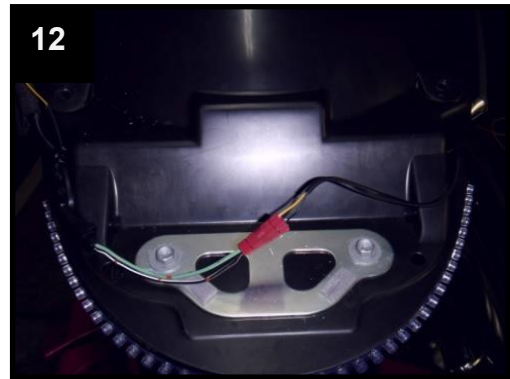
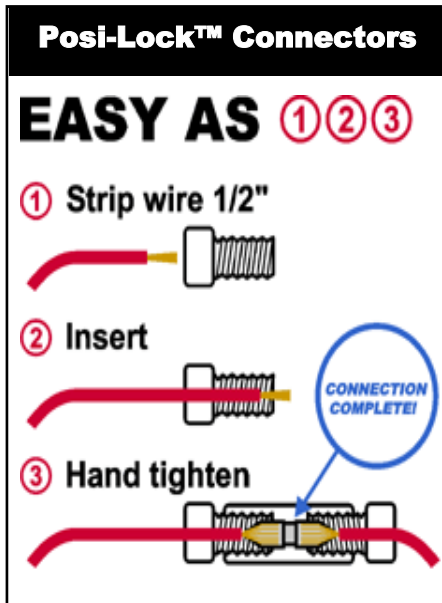


Cut connectors off of old turn signals about 3 inches from connector. (picture 10)



Using supplied Posi-Lock™ connectors from kit install connectors from old turn signals onto turn signal Red leads. (pictures 11 & 12)

Connect BLACK wire of array to a suitable ground on the bike.



Test operation, reinstall outer fender cover.