



Custom Dynamics® Fillerz® LED Inserts Installation Instructions

We thank you for purchasing the Custom Dynamics® Fillerz® LED Inserts! Our products utilize the latest technology and high quality components to ensure you the most reliable service. We offer one of the best warranty programs in the industry and we back our products with excellent customer support, if you have questions before or during installation of this product please call Custom Dynamics® at 1(800) 382-1388.

Part Number: GEN-FDRS

Package Contents:

- Fillerz® LED Inserts (pair)
- MPR-BCM-PLUG 6 Pin Adapter (1)
- 4" Cable Tie (8)
- Adhesive Primer(1)

Fits: 2014-2020 Electra Glide® Ultra Classic®/Low, Standard, Ultra Limited/Low, Road King®, Road Glide® Ultra.
Also fits CVO™ Models IF Painted Filler Panels are Removed.

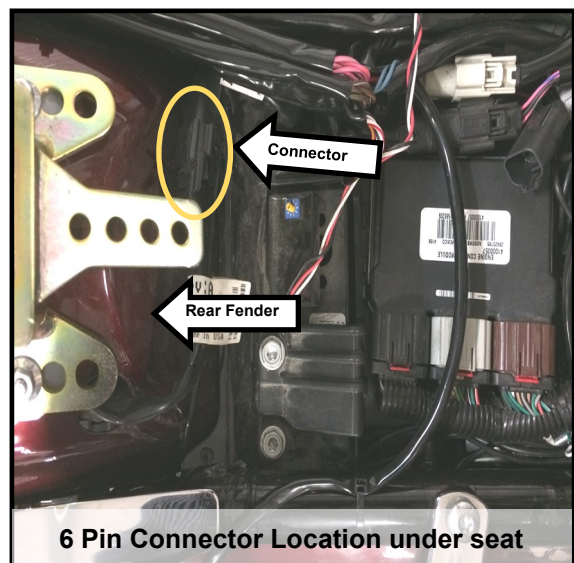


Note: Road King and Electra Glide Standard Applications require a run-brake-turn controller to achieve run-brake-turn function with this product. Controller sold separately. **See page 3.**



Installation

1. Remove the hard bags to allow access to the fender supports on the fender.
2. Remove the main seat on the bike and locate the 6 pin connector going to the rear fender. Unplug and install the MPR-BCM-PLUG adapter in line. (see photo for location)
3. Apply the adhesive primer onto the surface of the fender supports and allow to dry.
4. Verify Left and Right Fillerz® panels before installing. Remove the red tape from back of Fillerz®. Line up the bottom edge of Fillerz® with bottom edge of fender support. Push Fillerz® into place until the tabs click. Apply pressure evenly over the Fillerz® to ensure the tape is applied evenly.
5. Route the wires from Fillerz® along the fender support, using the provided 4" cable ties to secure where needed. Bring wiring to the MPR-BCM-PLUG location .
6. Connect the left side Fillerz® to the MPR-BCM-PLUG 3 pin connector that has a purple wire. Connect the right side Fillerz® to the 3 pin connector with the brown wire.
7. **For Road Kings Only:** Lights will function as Run-Turn. For Run-Brake-Turn a Run-Brake-Turn controller (SMART Triple Play®) must be installed and the MPR-BCM-PLUG installed behind (towards the rear of the bike) the controller. In addition, the blue wires going to the 2 three pin connectors must be cut and capped off. For Run-Brake operation, the purple and brown wires going from the 3 pin connector to the Y harness must be cut and moved from the corresponding purple and brown to the red wire. Reference page 3.
8. Once wiring is completed, test function.



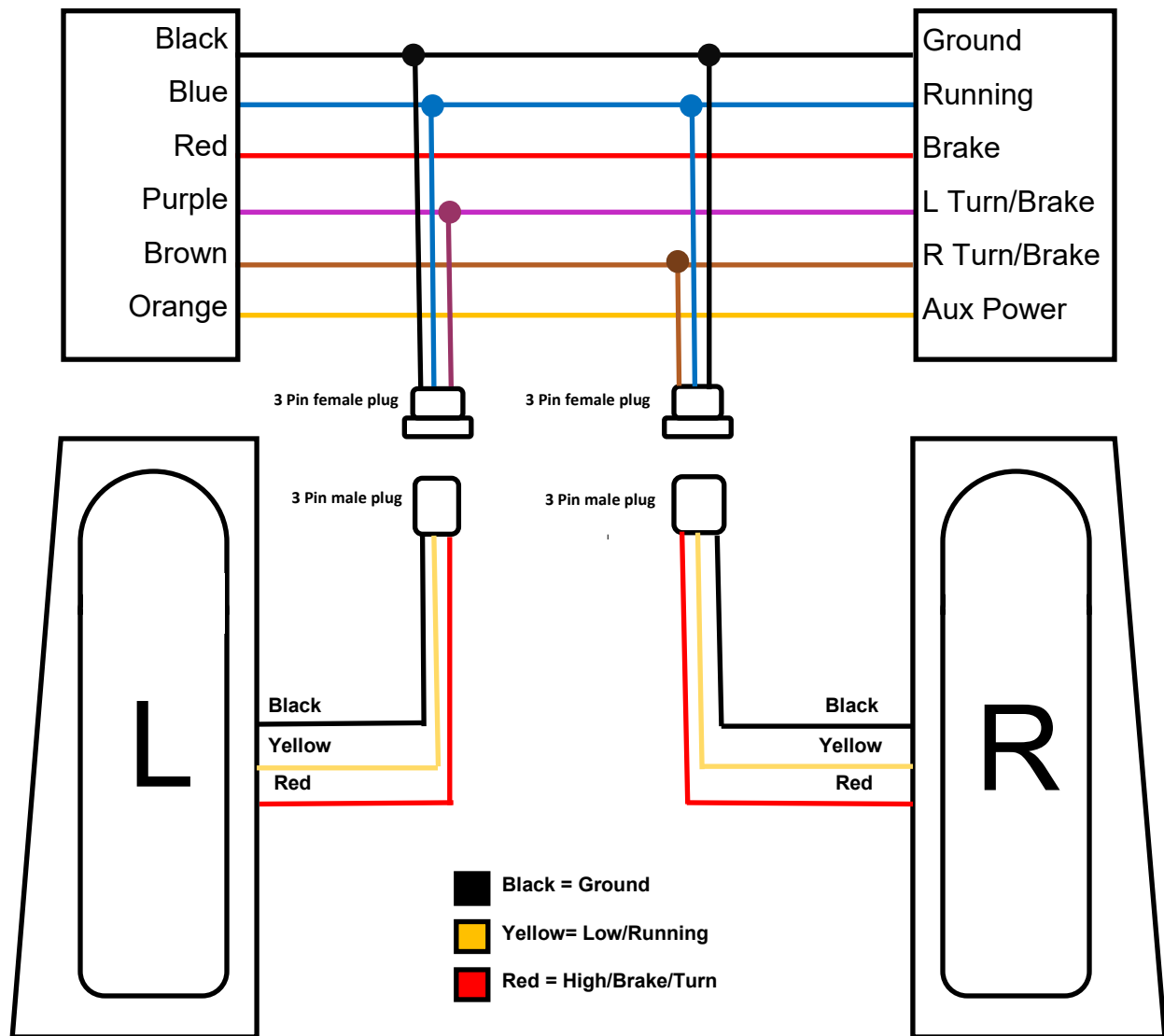
6 Pin Connector Location under seat

Questions? Call us at: 1 (800) 382-1388 M-TH 8:30AM-5:30PM / FR 9:30AM-5:30PM EST

Installation Instructions - Page 2

MPR-BCM-PLUG Diagram With Fillerz® as Run-Brake and Turn

Be sure the left Fillerz® 3 pin male plug is connected to the MPR-BCM-PLUG adapter's 3 pin female plug with the purple wire and the right Fillerz® 3 pin male plug is connected to the MPR-BCM-PLUG adapter's 3 pin female plug with the brown wire (see below).

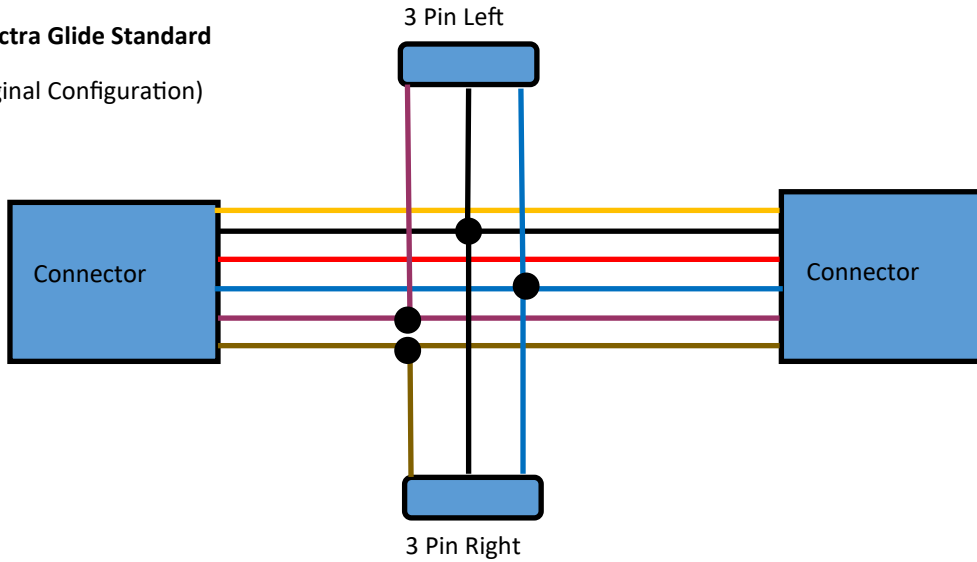


Notice: This product is designed and intended for use as auxiliary lighting on motorcycles only. This product is NOT intended to replace any original equipment lighting installed on the motorcycle and should not be used for that purpose. This product must be wired such that it does not interfere with any original equipment lighting.

Installation Instructions - Page 3

Road King, Electra Glide Standard

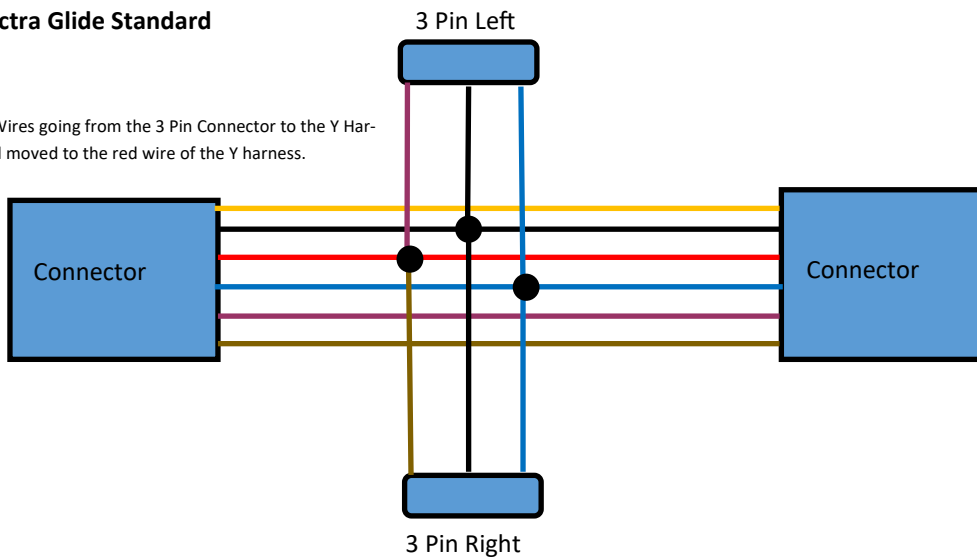
Run-Turn (Original Configuration)



Road King, Electra Glide Standard

Run-Brake

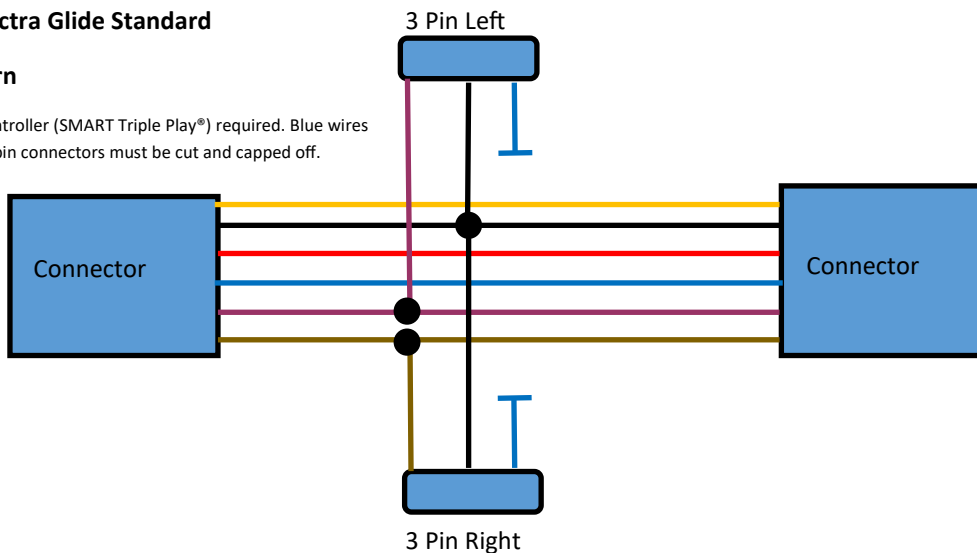
*Purple and Brown Wires going from the 3 Pin Connector to the Y Harness must be cut and moved to the red wire of the Y harness.



Road King, Electra Glide Standard

Run-Brake-Turn

*Run-Brake-Turn controller (SMART Triple Play®) required. Blue wires going to both three pin connectors must be cut and capped off.



Questions? Call us at: 1 (800) 382-1388 M-TH 8:30AM-5:30PM / FR 9:30AM-5:30PM EST