



Custom Dynamics® TruBEAM® LED Headlamp Installation Instructions

We thank you for purchasing the Custom Dynamics® TruBEAM® LED headlamp! Our products utilize the latest technology and high quality components to ensure you the most reliable service. We offer one of the best warranty programs in the industry and we back our products with excellent customer support, if you have questions before or during installation of this product please call Custom Dynamics® at 1(800) 382-1388.

Part Number: CDTB-7-IF-C CDTB-7-IF-B

Package Contents:

- TruBEAM® LED Headlamp (1)
- Instructions
- Mounting Screws (4)
- Nylon Spacers (4)

Fits: 2015-2020 Indian® Roadmaster® models (except 2020 Roadmaster Dark Horse), 2015-2018 Chieftain®, Chieftain® Dark Horse, Chieftain® Limited, 2015-2020 Chieftain® Classic.

Fitment Note: The CDTB-HLA-1 Hi/Low Adapter (sold separately) is required with this product to enable Low beam function during Hi-beam operation and for operation of the Halo Ring.

Important: Due to the increased light output from this unit, it is recommended you take the vehicle to a dealer to have the headlamp properly adjusted. Weight and tire pressure can affect the position of the light.



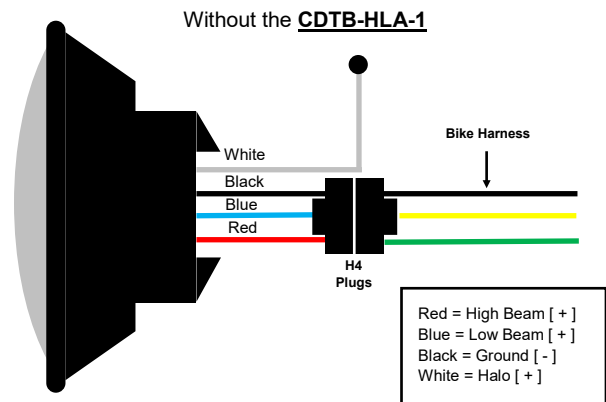
Installation:

1. Disconnect the vehicle battery negative [-] terminal.
 2. Review detailed service manual for instructions on replacing factory headlamp.
 3. Remove the factory headlamp from vehicle.
- Note:** You will not reuse the factory mounting screws.
4. Before installing TruBEAM®, locate the vent on the rear of the unit and remove the white plastic cover so that the vent will function properly.
 5. Connect the TruBEAM® headlamp to the existing factory H4 plug and re-install according to your vehicles manual.
 6. LED Halo (Optional): Locate the white wire on the back of the TruBEAM® headlamp. Power this wire by attaching it to the CDTB-HLA-1 adapter (sold separately). See adapters instructions for installation.



Please read all Information below before Installation

Warning: To prevent possible electrical shock, disconnect the negative battery terminal before installing this product.



Questions? Call us at: 1 (800) 382-1388 M-TH 8:30AM-5:30PM / FR 9:30AM-5:30PM EST

Installation Instructions - Page 2

CAUTION: Failure to install the (4) spacers (provided) on the (4) mounting screws (provided) between the stock headlight retaining trim ring and the stock headlight bucket will cause damage to the stock headlight trim ring.

7. Re-assemble headlamp per the instructions in the detailed factory service manual making sure the (4) spacers (provided) are installed on the mounting screws (provided) between the headlight retaining ring and the headlight bucket (see diagram below). Ensure wires or any components of the harness are not pinched during installation and that they will not be exposed to water spray, excessive heat or moving parts.

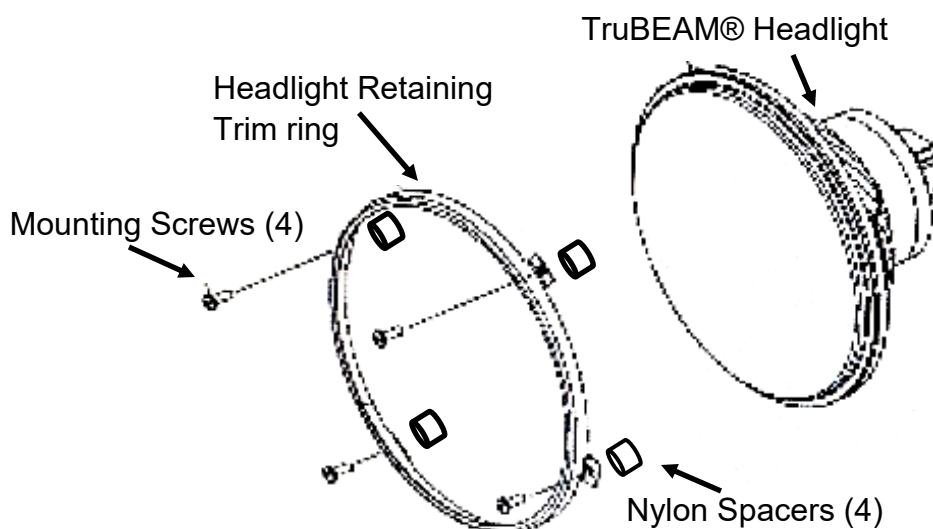
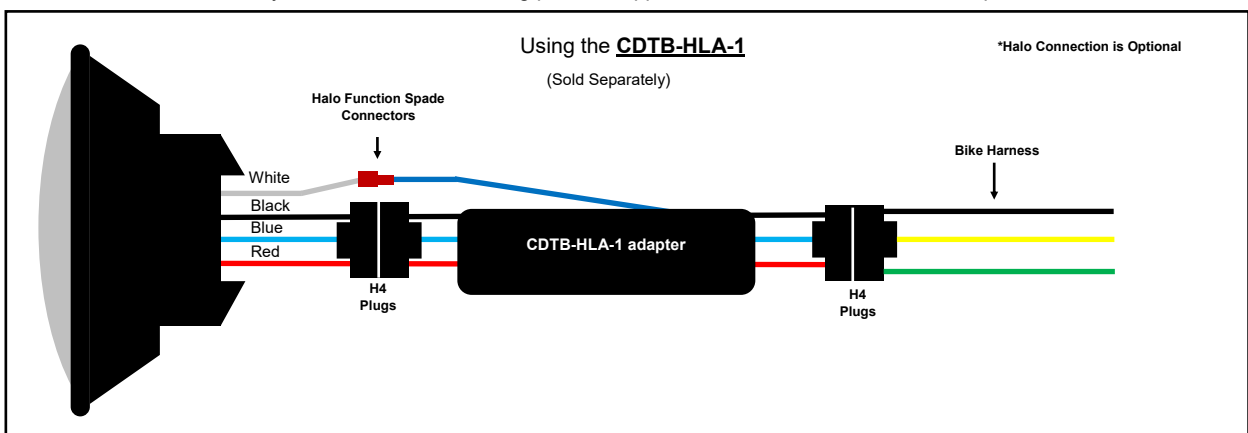
8. Re-connect vehicle battery negative [-] terminal.

9. Test function of headlamp for high beam and low beam function:

- Stock function without CDTB-HLA-1 = When low beam is ON, high beam is OFF, when high beam is ON, low beam is OFF. Halo will not illuminate.

- Function when using CDTB-HLA-1 = When low beam is ON, high beam is OFF. When high beam is ON, low beam is ON.

- Halo Function = Halo will only work if connected running power is applied to the white wire. Function is optional.



Questions? Call us at: 1 (800) 382-1388 M-TH 8:30AM-5:30PM / FR 9:30AM-5:30PM EST