

# PROBEAM®

BY CUSTOM DYNAMICS®

## Custom Dynamics® ProBEAM® Fillerz® LED Inserts Installation Instructions

We thank you for purchasing the Custom Dynamics® ProBEAM® Fillerz® LED Inserts! Our LEDs offer maintenance free service and higher visibility. Our ProBEAM® product line utilizes the latest technology and automotive grade components to ensure the highest level of reliable service. Custom Dynamics® offers one of the best warranty programs and customer support in the industry. If you have any questions during the installation of this product please call us at 1(800) 382-1388.

Part Number: PB-FILL-HD-RB PB-FILL-HD-SB  
PB-FILL-HD-RC PB-FILL-HD-SC  
US Patent D814673, D824553 & D846,166  
China Patent ZL201730501975.7

### Package Contents:

- ProBEAM® Fillerz® LED Inserts (1 pair)
- MPR-HD-PLUG Adapter (1)
- 4" Cable Tie (8)

**Fits:** 2009-2013 Harley-Davidson® Electra Glide, Ultra Classic, Ultra Limited models (including CVO™), Road King (FLHR), and Road King Classic (FLHRC), 2011-2013 Road Glide Ultra (FLTRU) and Road Glide Ultra CVO™ (FLTRUSE)

**Note:** Requires mounting bracket RR-FILLR-BLK or RR-FILLR-CHR (Sold Separately)



Please read all Information below before Installation

### Note:

- The ProBEAM® Fillerz® are designed to be secured in place by the 3M™ backing tape on the Fillerz® Inserts, not by the alignment tabs (See Photo 1).
- This product is designed and intended for motorcycle auxiliary lighting use only. This product is **NOT** intended to replace any OEM lighting installed on the motorcycle and should not be used for that purpose. This product must be wired in such a manner that it does not interfere with any OEM lighting.

**Note:** A SMART Signal Stabilizer® or Load Equalizer may be required to ensure proper turn signal function and have the proper flash speed.

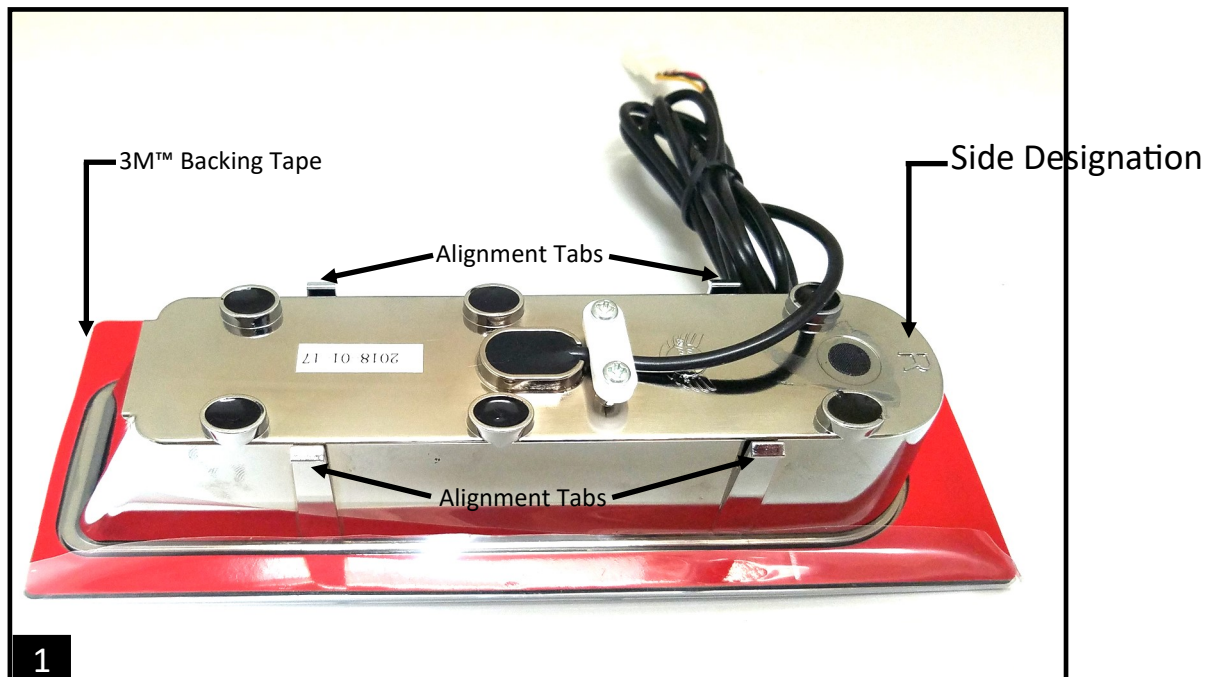
**Note:** Lights are designed to operate as **Run/Brake**. However, lights can be configured to operate as **Run/Turn** or **Run/Brake/Turn**. See page 3 for alternative configurations.

Questions? Call us at: 1 (800) 382-1388 M-TH 8:30AM-5:30PM / FR 9:30AM-5:30PM EST

## Installation Instructions - Page 2

### Installation:

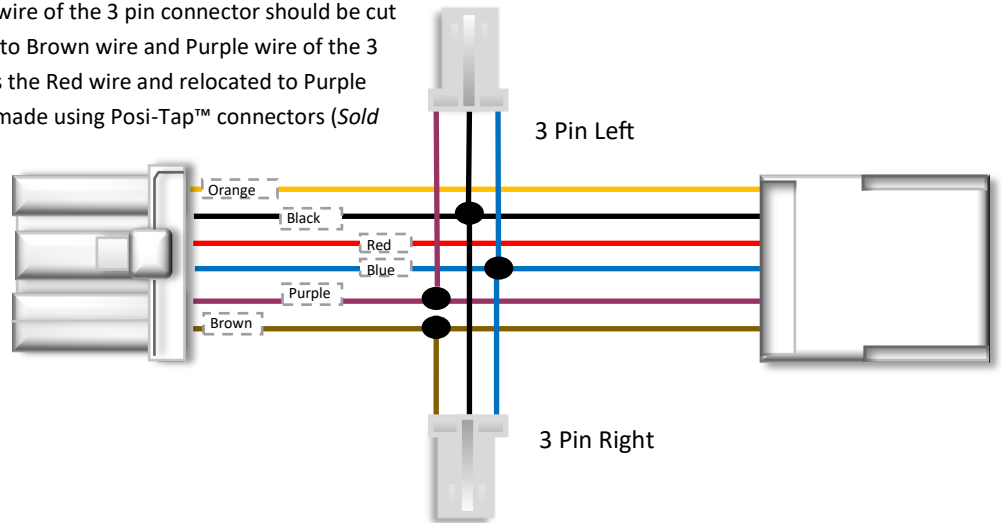
1. Remove the hard bags to allow access to the bag support brackets on the fender.
2. Install the RR-FILLR (Sold Separately) bracket onto the bag support brackets.
3. Remove the main seat on the bike and locate the rear fender lighting harness connector going to the rear fender. Unplug and install the MPR-HD-PLUG adapter in line.
4. Clean the surface area of the RR-FILLR bracket areas with denatured alcohol and allow to dry.
5. Verify Left and Right Fillerz® panels before installing (See Photo 1).
6. Remove the red protective film of the 3M™ tape from the back of Fillerz®. Line up the bottom edge of Fillerz® with bottom edge of RR-FILLR bracket. Push Fillerz® into place until the alignment tabs click (See Photo 1). Apply pressure evenly over the Fillerz® to ensure the tape is applied evenly.
5. Route the wires from Fillerz® along the fender struts to the MPR-HD-PLUG location. Secure the wires with the provided 4" cable ties.
6. Connect the left side Fillerz® to the MPR-HD-PLUG 3 pin connector that has a purple wire. Connect the right side Fillerz® to the 3 pin connector with the brown wire.
7. Functions as **Run/Brake**, for **Run/Turn** or **Run/Brake/Turn** see configuration on Page 3.
8. Test running, brake and turn signal functions.



## Installation Instructions - Page 3.

### Run-Turn Configuration

\*On the HD Y Harness Adapter, the Brown wire of the 3 pin connector should be cut where it meets the Red wire and relocated to Brown wire and Purple wire of the 3 pin connector should be cut where it meets the Red wire and relocated to Purple connector wire. Connections can easily be made using Posi-Tap™ connectors (*Sold Separately*) See photo below for reference.



**Run-Brake-Turn Configuration** \*SMART Triple Play® required. On the HD Y Harness Adapter, Brown wire of the 3 pin connector should be cut where it meets the Red wire and relocated to Brown harness adapter wire. The Purple wire of the 3 pin connector should be cut where it meets the Red wire and relocated to Purple harness adapter wire. Connections can easily be made using Posi-Tap™ connectors (*Sold Separately*). SMART Triple Play® should be programmed for No run on the turn signal circuit.

