



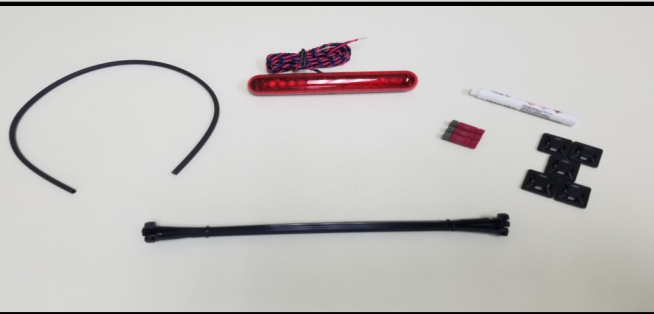
Custom Dynamics® LB14 Breakout Light Bar Installation Instructions

We thank you for purchasing the Custom Dynamics® LB14 Breakout Light Bar. Our products utilize the latest technology and highest quality components to ensure you the most reliable service. We offer one of the best warranty programs in the industry and we back our products with excellent customer support, if you have questions before or during installation of this product please call Custom Dynamics® at 1(800) 382-1388.

Part Numbers: LB14

Package Contents:

- LB14 Breakout Light Bar (1)
- Isopropyl Alcohol Wipe (1)
- Heat Shrink Tubing (1)
- Tie Wrap Holder (5)
- 8" Black Tie Wraps (10)
- Posi-Taps™ (3)



Fitment: 2013-2020 US Models Breakouts® and CVO Breakouts®



ATTENTION



Please read all Information below before Installation

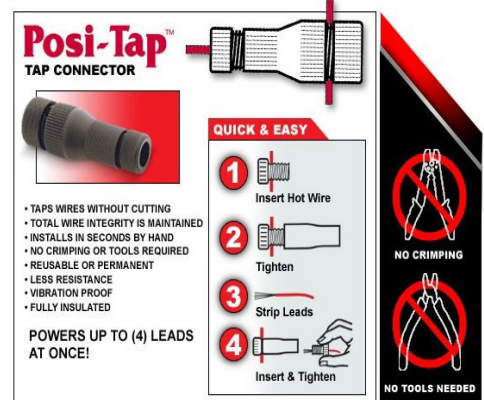
Warning: Disconnect negative battery cable from battery; refer to owner's manual. Failure to do so may result in electrical shock, injury, or fire. Secure negative battery cable away from positive side of battery and all other positive voltage sources on vehicle.

Safety First: Make sure the bike is parked on a level surface and bike's mechanical components are cool to the touch.

Cleaning: Take special care in cleaning the finish. Never use abrasive polishes or cleaners as these can scratch the finish.

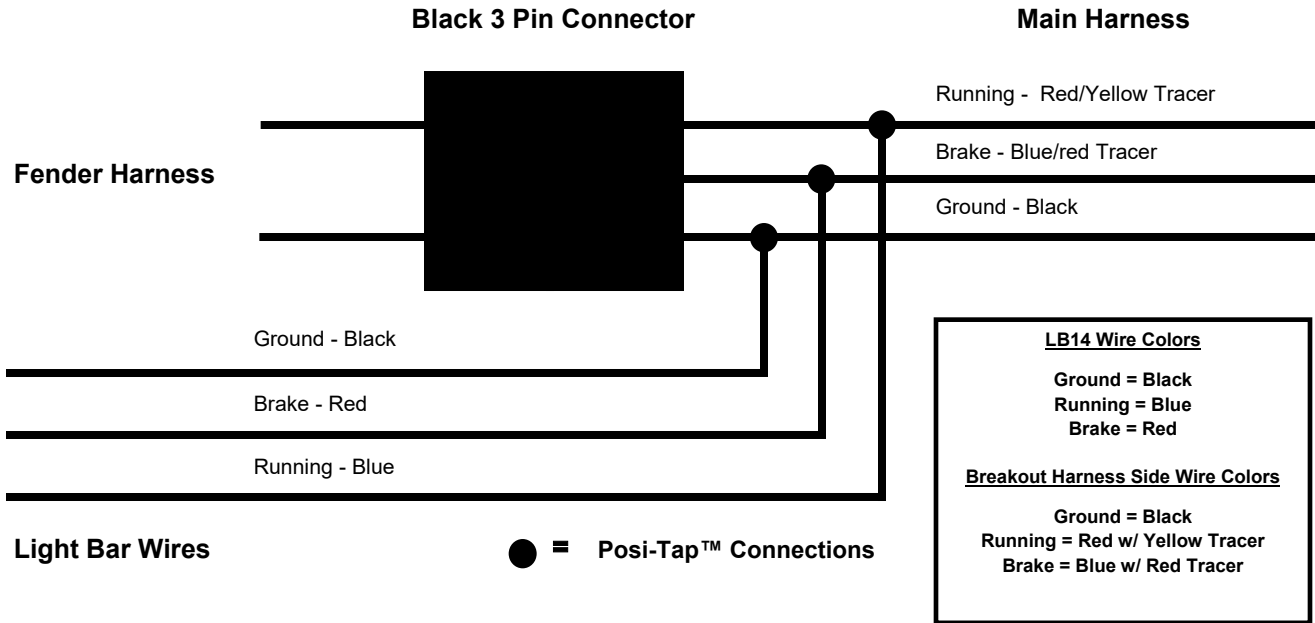
Installation:

1. Remove seat from the bike. Disconnect the negative [-] battery terminal from the battery.
2. Remove stock reflector from the bracket. Make sure all adhesive is removed and surface is clean. Also make sure under side of fender on right side where wires will attach is clean and free of dirt.
3. Measure the length and height of the bracket to find your center. Mark your center and drill a 3/16" hole for the wires of the light bar to pass through. Make sure hole is free of burrs or sharp edges.
4. Use the Included Isopropyl Alcohol Wipe to prep the surface of the bracket and allow to dry for 30-40 seconds.
5. Route the wires through the hole.
6. Remove the red backing from the 3M tape and carefully adhere to the bracket, making sure light bar is aligned and level.
7. Route the wires up the inside right side corner of the fender. Determine where to best attach and use the enclosed tie-wraps and mounting bases. Before attaching mounting bases, apply adhesive primer to those areas and allow to dry. Make sure wires are secure and will not come in contact with the tire or any other moving parts.
8. Route wires along the fender harness, attach with tie wraps where needed. Follow the harness to a pair of connectors. You will be tapping into the harness side of the BLACK connector, which has the running/brake/ground signals going in and the running light wires only going out. (See wiring diagram on back page)
9. Using the included Posi-Tap™ connectors (see Posi-Tap instructions below), attach the connectors to the wires in your harness, then trim any excess wire from light bar and attach to the other end of the Posi-Tap™ connectors. (see wiring diagram)
10. Reconnect the negative [-] battery terminal to the battery.
11. Test operation of LB14 light bar, running mode should be low intensity, brake should be full brightness.



Questions? Call us at: 1 (800) 382-1388 M-TH 8:30AM-5:30PM / FR 9:30AM-5:30PM EST

Installation Instructions - Page 2



This product is designed and intended for use as auxiliary lighting only. It is NOT intended to replace any original equipment lighting installed on the vehicle and should not be used for that purpose. This product must be wired so that it does not interfere with any original equipment lighting.

