



Custom Dynamics® Saddlebag LED lights Installation Instructions

We thank you for purchasing the Custom Dynamics® Saddlebag LED Lights. Our products utilize the latest technology and high quality components to ensure you the most reliable service. We offer one of the best warranty programs in the industry and we back our products with excellent customer support, if you have questions before or during installation of this product, please call Custom Dynamics® at 1(800) 382-1388.

Part Numbers:

CD-SB-SS8-BR	CD-SB-SS8-CR
CD-SB-SS8-BS	CD-SB-SS8-CS

Package Contents:

- Saddle Bag LED Light W/ Quick Disconnect Harness (2)
- SS8 Y Harness Adapter w/ Plugs (1)
- Adhesive Primer (1)
- 4" Tie Wraps (10)
- Tie Wrap Holder (6)



Fits: Harley-Davidson® 2009 Road Glide CVO™, 2010-2012 Street Glide CVO™, 2012-2013 Road Glide® Custom CVO™ and 2013 Road King CVO™ with H-D™ OEM hard saddle bags

⚠ ATTENTION ⚠

Disclaimer: Removal of our saddlebag lights after installation, may cause permanent damage to the finished surface area of the saddlebag.

Warning: Disconnect negative battery cable from battery; refer to owner's manual. Failure to do so may result in electrical shock, injury or fire. Secure negative battery cable away from positive side of battery and all other positive voltage sources on vehicle.

Safety First: Always wear appropriate safety gear including safety glasses when performing any electrical work. It is highly recommended that safety glasses be worn throughout this installation process. Be sure vehicle is on level surface, secure and cool.

Important: This product is designed and intended for use as auxiliary lighting only. It is NOT intended to replace any original equipment lighting installed on the vehicle and should not be used for that purpose. This product must be wired so that it does not interfere with any original equipment lighting.

Installation:

1. Test fit the Saddle Bag Lights, on each bag, the light should mount a couple millimeters below the bottom edge of the lid when the lid is closed. Mark the location with a grease pencil.
2. Clean the surface area that LEDs will adhere to with ISO alcohol and allow to dry. Apply the supplied adhesive primer to the area. Allow to dry.
3. Remove the red adhesive backing and install the lights on the left and right saddle bags. Press firmly into place.
4. Remove both bags from the bike.
5. Select location for cable tie holders. Clean area with ISO alcohol, allow to dry. Apply adhesive primer to the surface area and allow to dry. Remove paper backing for cable tie holders and press into place. Remove paper backing from the cable tie holders and press into place (see picture below).



6. Route wires from bag light to each tie wrap holder location and secure with enclosed tie wraps.
7. Remove seat from bike. Locate rear main wire harness.
8. Plug SS8 harness adapter into rear wiring harness.
9. Reinstall saddle bags. Plug the female connector of each light into the male connector of the harness adapter. Connect 3 pin plugs from Bag Lights to Y adapter making sure female with purple wire plugs in male with purple wire, and female with brown wire plugs into male with brown Wire.
10. Secure wires with the included tie wraps, make sure wiring will not come in contact with moving parts or in an area with high heat. Also take care that wires will not get pinched or frayed.
11. Reinstall seat. Test operation of running and brake lights.

BAGZ™ come with a weatherproof quick disconnect to make future removal of saddle bags quick and easy.

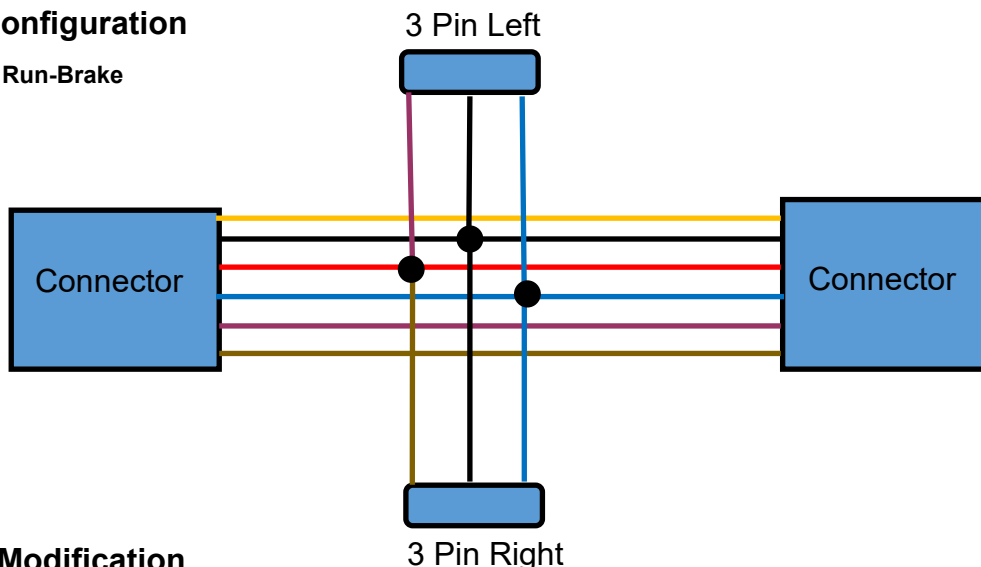


Questions? Call us at: 1 (800) 382-1388 M-TH 8:30AM-5:30PM / FR 9:30AM-5:30PM EST

Installation Instructions - Page 2

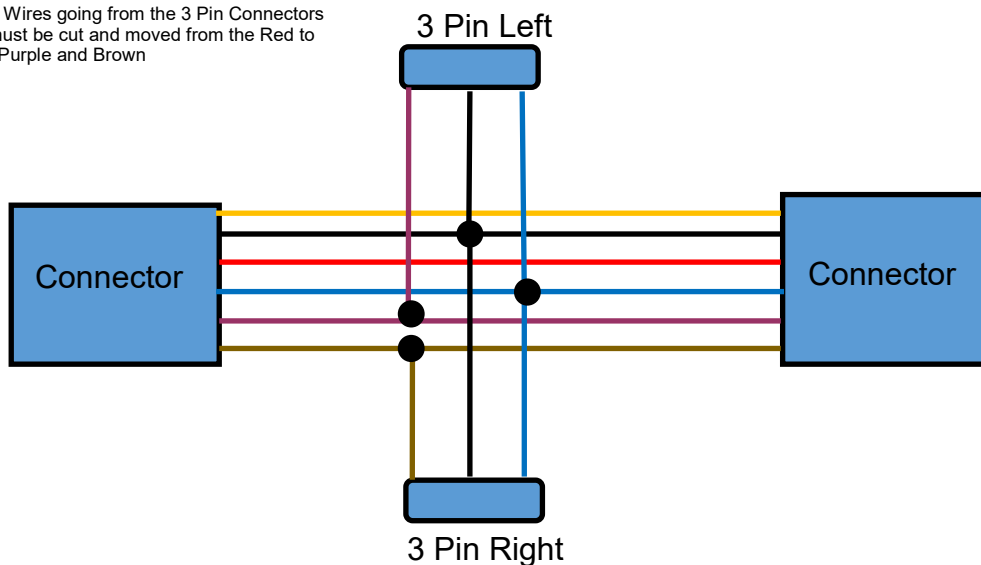
Original Configuration

Functions as Run-Brake



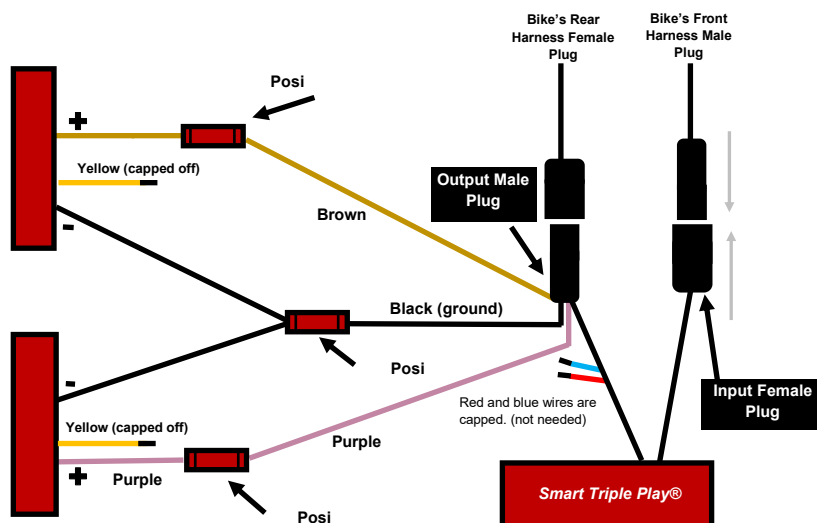
Run-Turn Modification

*Purple and Brown Wires going from the 3 Pin Connectors to the Y Harness must be cut and moved from the Red to the corresponding Purple and Brown



Run-Brake-Turn Modification

Run-Brake-Turn controller (SMART Triple Play®) required. SS8 Y Harness Adapter w/ Plugs not required for installation of LED Saddle Bag Lights. Please see diagram to the right.



Questions? Call us at: 1 (800) 382-1388 M-TH 8:30AM-5:30PM / FR 9:30AM-5:30PM EST