



## Custom Dynamics® Plug and Play Plasma Rod™ Adapter Installation Instructions

We thank you for purchasing the Custom Dynamics® Plug and Play Plasma Rod™ Adapter. Our products utilize the latest technology and high quality components to ensure you the most reliable service. We offer one of the best warranty programs in the industry and we back our products with excellent customer support, if you have questions before or during installation of this product please call Custom Dynamics® at 1(800) 382-1388.

**Part Numbers:** PR-MPR-HD

**Package Contents:**

- HD Plasma Rod™ Adapter w/ Plugs (1)

**Fits:** 1996-2017 Softails (except Breakout, Slim/Slim-S & Blackline), 1997-2017 Dynas (except FXDB & FXDWG), 1997-2013 Touring (except Street Glide & Road Glide Custom), and 1999-2003 Sportsters, 2010-2013 HD Trikes; 2011-2013 Road Glide Ultra with PR-PLUG-R Plug and Play Red Plasma Rods™ (Sold Separately).

**Note:** Plasma Rods™ are designed to operate as **Run/Brake**. However, lights can be configured to operate as Run/Turn or Run/Brake/Turn. See page 2 for alternative configurations.



### Installation:

1. Secure motorcycle on level surface. Remove seat and disconnect negative battery cable from the battery.
2. Locate and unplug the rear lighting harness connector to the rear fender.
3. Plug the provided HD Plasma Rod™ Adapter, in-line, into the rear lighting harness and into the bike's main wiring harness.
4. Connect the Plug and Play Plasma Rods™ (Sold Separately) to the installed HD Plasma Rod™ Adapter. Connect Left Plasma Rod™ to the 3 pin connector of the HD Plasma Rod™ Adapter with the Purple wire. Connect Right Plasma Rod™ to the 3 pin connector of the HD Plasma Rod™ Adapter with the Brown wire.
5. Secure wires under the seat to prevent the wires from becoming cut, frayed, or pinched.
6. Reconnect the negative battery cable to the battery and reinstall the seat.
7. Test operation of all lighting before riding.



Please read all Information below before Installation

**Warning:** Disconnect negative battery cable from battery; refer to owner's manual. Failure to do so may result in electrical shock, injury, or fire. Secure negative battery cable away from positive side of battery and all other positive voltage sources on vehicle.

**Safety First:** Always wear appropriate safety gear including safety glasses when performing any electrical work. It is highly recommended that safety glasses be worn throughout this installation process. Be sure vehicle is on level surface, secure and cool.

**Important:** This product is designed and intended for use as auxiliary lighting only. It is NOT intended to replace any original equipment lighting installed on the vehicle and should not be used for that purpose. This product must be wired so that it does not interfere with any original equipment lighting.

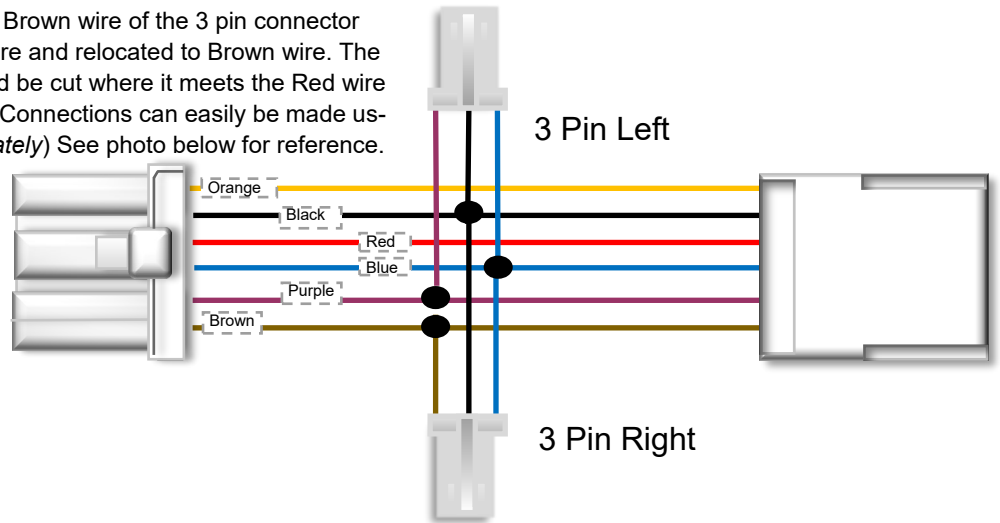
**Note:** Lights are designed to operate as **Run/Brake**. However, lights can be configured to operate as Run/Turn or Run/Brake/Turn. See Page 2 for alternative configurations.

Questions? Call us at: 1 (800) 382-1388 M-TH 8:30AM-5:30PM / FR 9:30AM-5:30PM EST

## Installation Instructions - Page 2.

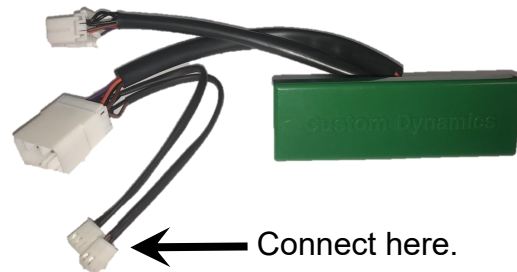
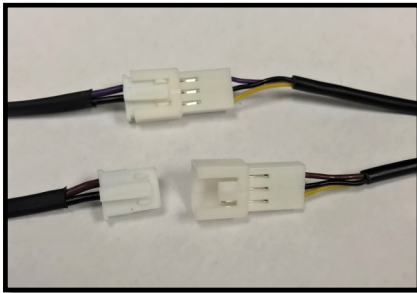
### Run-Turn Configuration

\*On the HD Plasma Rod™ Adapter, the Brown wire of the 3 pin connector should be cut where it meets the Red wire and relocated to Brown wire. The Purple wire of the 3 pin connector should be cut where it meets the Red wire and relocated to Purple connector wire. Connections can easily be made using Posi-Tap™ connectors (*Sold Separately*) See photo below for reference.



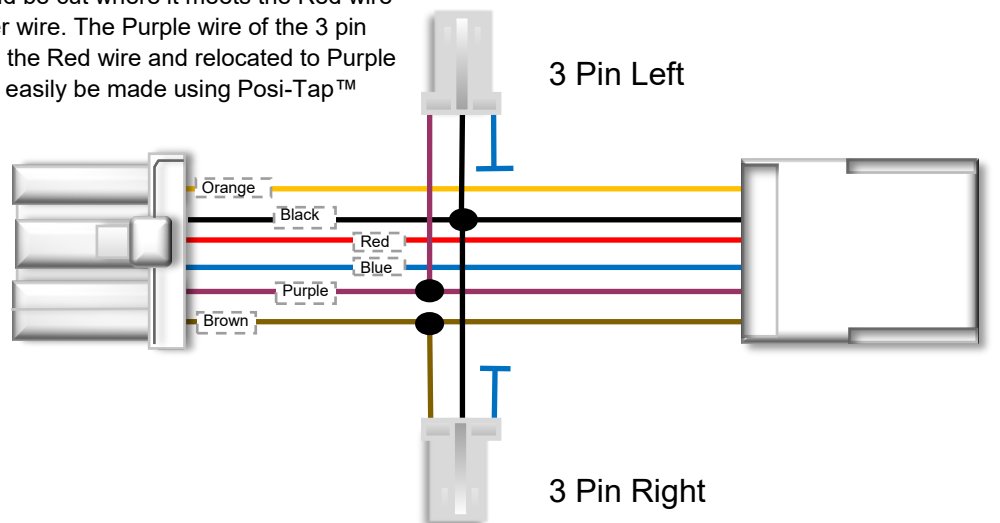
### Run-Brake-Turn Plug-N-Play with SMART Triple Play®

\*SMART Triple Play® with accessory plugs required. The provided Plasma Rod™ harness **will not** be used. The two 3 pin connectors that extend from the output side of the Smart Triple Play® module allow for plug and play installation. Simply plug in the left side (purple) and right side (brown) male connectors from the Smart Triple Play® to the corresponding female connectors on the product.



### Run-Brake-Turn With Modification \*SMART Triple Play®

**without** accessory plugs required. On the HD Plasma Rod™ Adapter, the Blue wires going to the two 3 pin connectors must be cut and capped off. Brown wire of the 3 pin connector should be cut where it meets the Red wire and relocated to Brown harness adapter wire. The Purple wire of the 3 pin connector should be cut where it meets the Red wire and relocated to Purple harness adapter wire. Connections can easily be made using Posi-Tap™ connectors (*Sold Separately*).



Questions? Call us at: 1 (800) 382-1388 M-TH 8:30AM-5:30PM / FR 9:30AM-5:30PM EST