



Custom Dynamics® Plug and Play Plasma Rod™ Adapter Installation Instructions

We thank you for purchasing the Custom Dynamics® Plug and Play Plasma Rod™ Adapter. Our products utilize the latest technology and high quality components to ensure you the most reliable service. We offer one of the best warranty programs in the industry and we back our products with excellent customer support, if you have questions before or during installation of this product please call Custom Dynamics® at 1(800) 382-1388.

Part Numbers: PR-MPR-SS8

Package Contents:

- SS8 Plasma Rod™ Adapter w/ Plugs (1)

Fits: 2009-2013 Harley-Davidson® CVO™ Street Glide (FLHXSE) and CVO™ Road Glide Custom (FLTRXSE), 2013 CVO™ Road King (FLHRSE) with PR-PLUG-R Plug and Play Red Plasma Rods™ (Sold Separately).

Note: Plasma Rods™ are designed to operate as Run/Brake. However, lights can be configured to operate as Run/Turn or Run/Brake/Turn. **See page 2 for alternative configurations.**



Installation:

1. Secure motorcycle on level surface. Remove seat and disconnect negative battery cable from the battery.
2. Locate and unplug the rear lighting harness connector to the rear fender.
3. Plug the provided SS8 Plasma Rod™ Adapter, in-line, into the rear lighting harness and into the bike's main wiring harness.
4. Connect the Plug and Play Plasma Rods™ (Sold Separately) to the installed SS8 Plasma Rod™ Adapter. Connect Left Plasma Rod™ to the 3 pin connector of the SS8 Plasma Rod™ Adapter with the Purple wire. Connect Right Plasma Rod™ to the 3 pin connector of the SS8 Plasma Rod™ Adapter with the Brown wire.
5. Secure wires under the seat to prevent the wires from becoming cut, frayed, or pinched.
6. Reconnect the negative battery cable to the battery and reinstall the seat.
7. Test operation of all lighting before riding.



Please read all Information below before Installation

Warning: Disconnect negative battery cable from battery; refer to owner's manual. Failure to do so may result in electrical shock, injury, or fire. Secure negative battery cable away from positive side of battery and all other positive voltage sources on vehicle.

Safety First: Always wear appropriate safety gear including safety glasses when performing any electrical work. It is highly recommended that safety glasses be worn throughout this installation process. Be sure vehicle is on level surface, secure and cool.

Important: This product is designed and intended for use as auxiliary lighting only. It is NOT intended to replace any original equipment lighting installed on the vehicle and should not be used for that purpose. This product must be wired so that it does not interfere with any original equipment lighting.

Note: The SS8 Plasma Rod™ Adapter must be plugged into the output (behind) any Smart Signal Stabilizer™/load equalizer or any brake strobe modules.

Note: Plasma Rods™ are designed to operate as **Run/Brake**. However, lights can be configured to operate as Run/Turn or Run/Brake/Turn. **See page 2 for alternative configurations.**

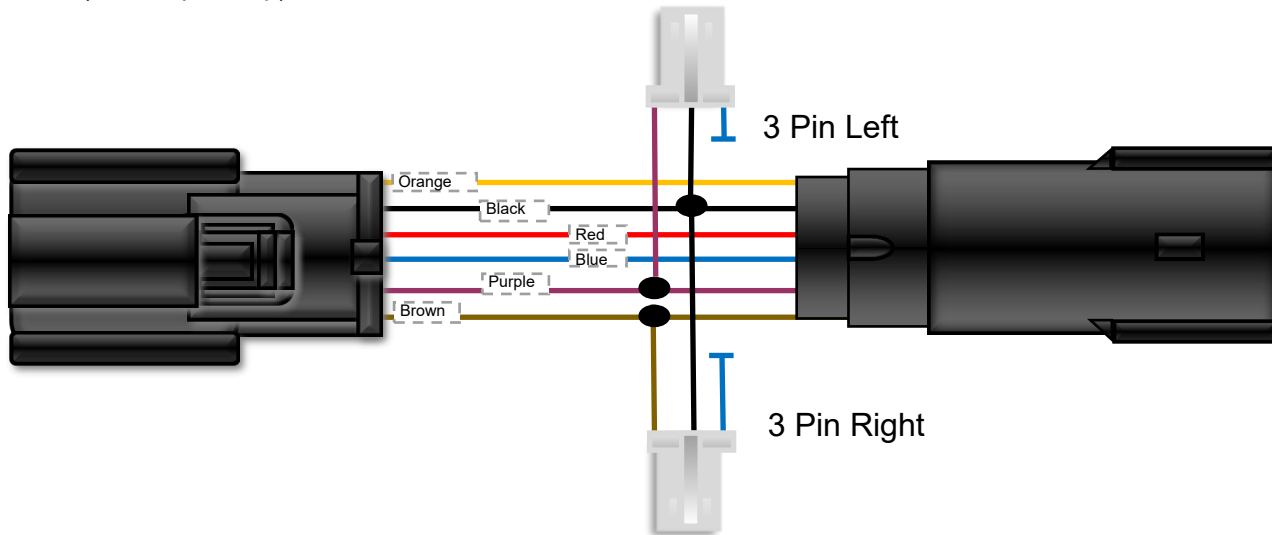
Questions? Call us at: 1 (800) 382-1388 M-TH 8:30AM-5:30PM / FR 9:30AM-5:30PM EST

Installation Instructions - Page 2

Run-Brake-Turn modification with GEN-SMART-TPU-SS8

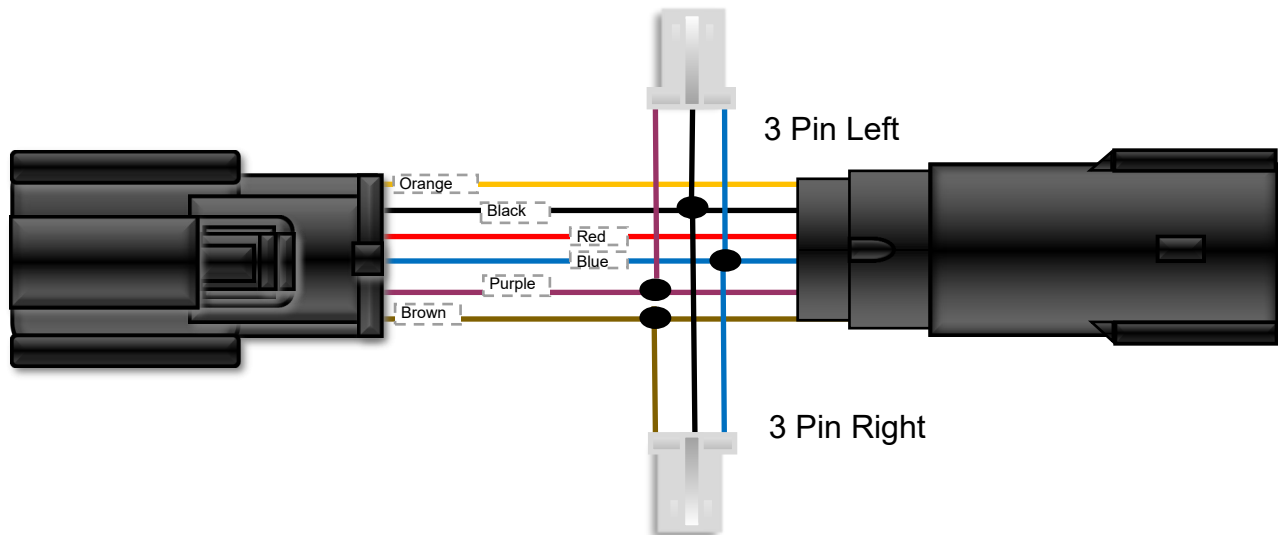
2010-2012 Street Glide® CVO™, 2009 Road Glide® CVO™, 2012-2013 Road Glide® Custom CVO™, 2013 Road King® CVO™

*SMART Triple Play® required. On the SS8 Plasma Rod™ Adapter, the Blue wires going to the two 3 pin connectors must be cut and capped off. Brown wire of the 3 pin connector should be cut where it meets the Red wire and relocated to Brown harness adapter wire. The Purple wire of the 3 pin connector should be cut where it meets the Red wire and relocated to Purple harness adapter wire. Connections can easily be made using Posi-Tap™ connectors (*Sold Separately*).



Run-Turn Configuration

*On the SS8 Plasma Rod™, the Brown wire of the 3 pin connector should be cut where it meets the Red wire and relocated to Brown wire and Purple wire of the 3 pin connector should be cut where it meets the Red wire and relocated to Purple connector wire. Connections can easily be made using Posi-Tap™ connectors (*Sold Separately*) See photo below for reference.



Questions? Call us at: 1 (800) 382-1388 M-TH 8:30AM-5:30PM / FR 9:30AM-5:30PM EST