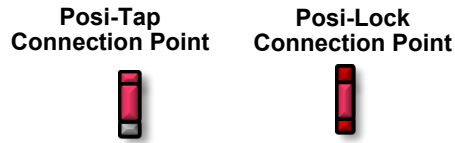
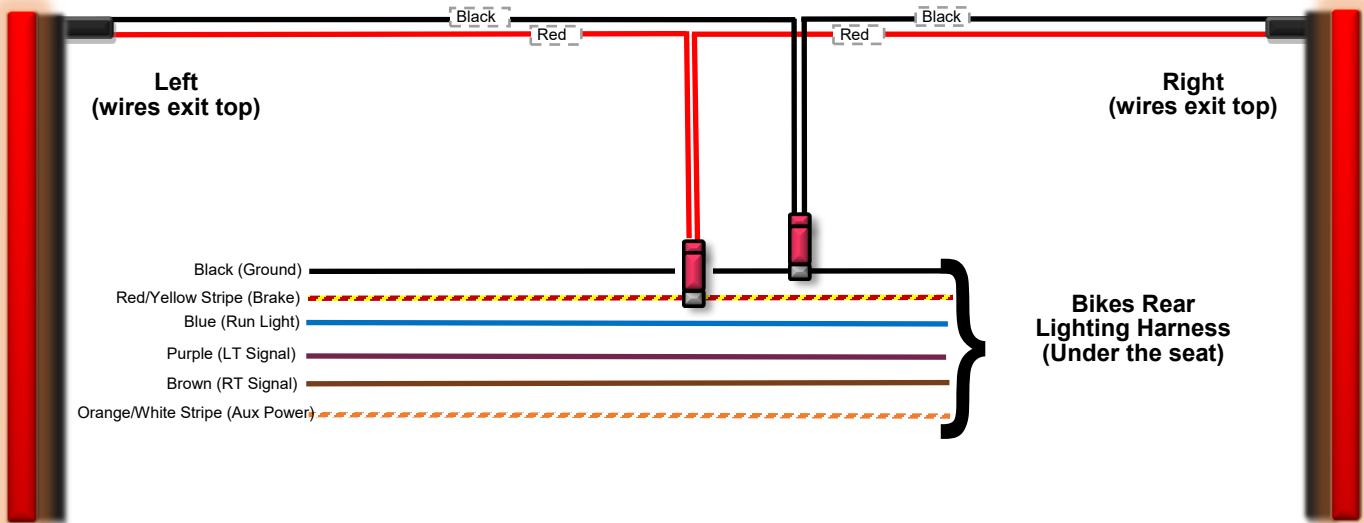




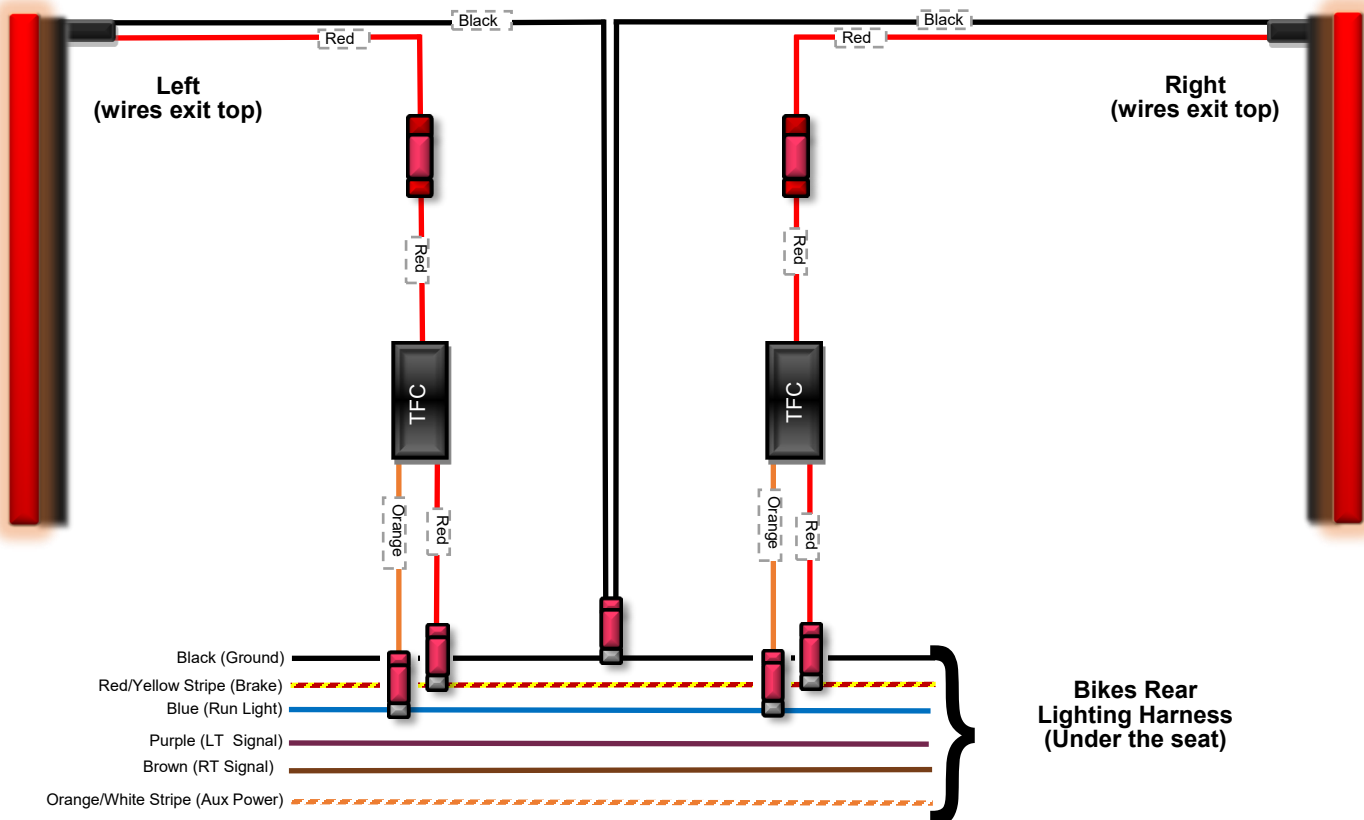
**Custom Dynamics® Plasma Rods™
2006-2009 Street Glide/Road Glide Wiring Diagrams**



Single Color Functioning as Brake Only = No additional modules needed



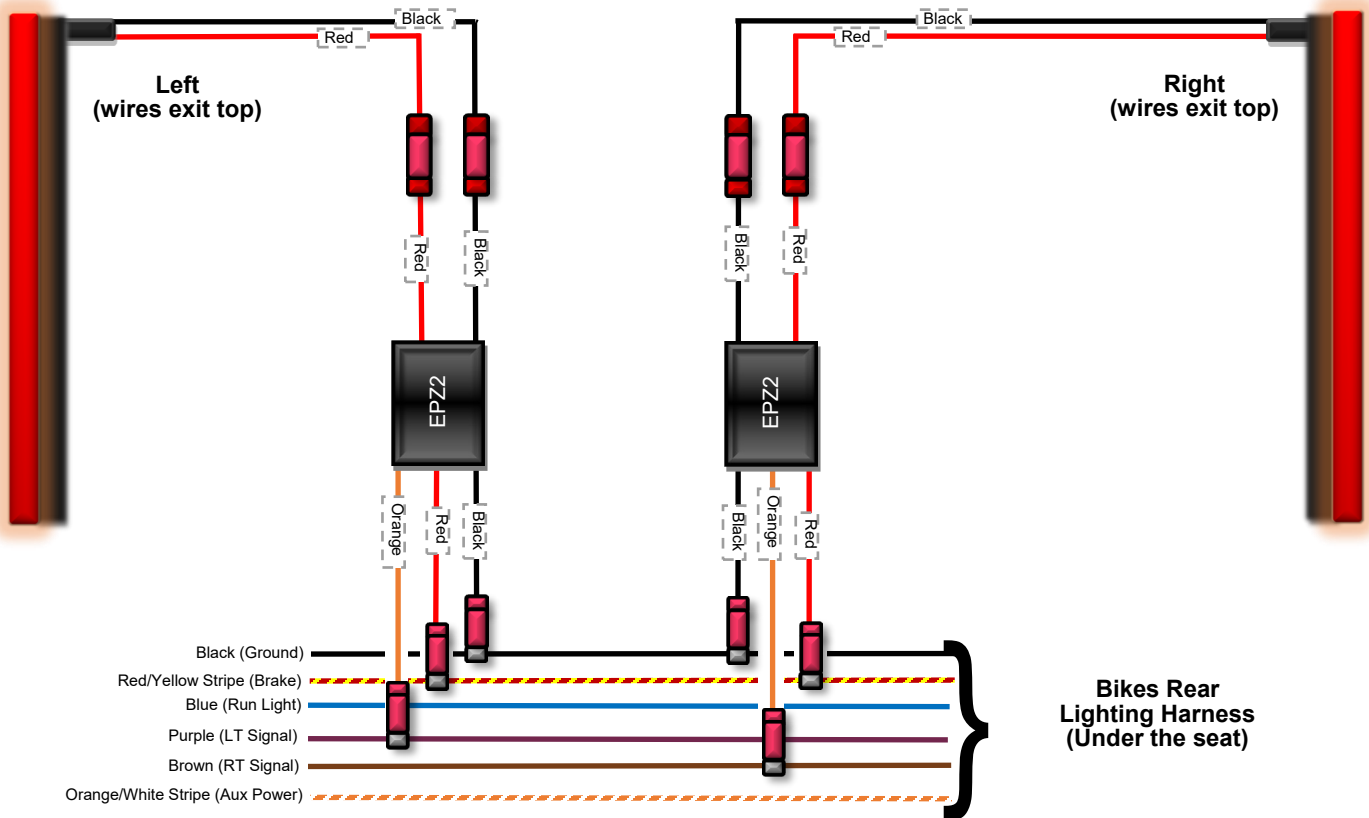
Single Color Functioning as Run/Brake with 2 Dual Converters (TFC)



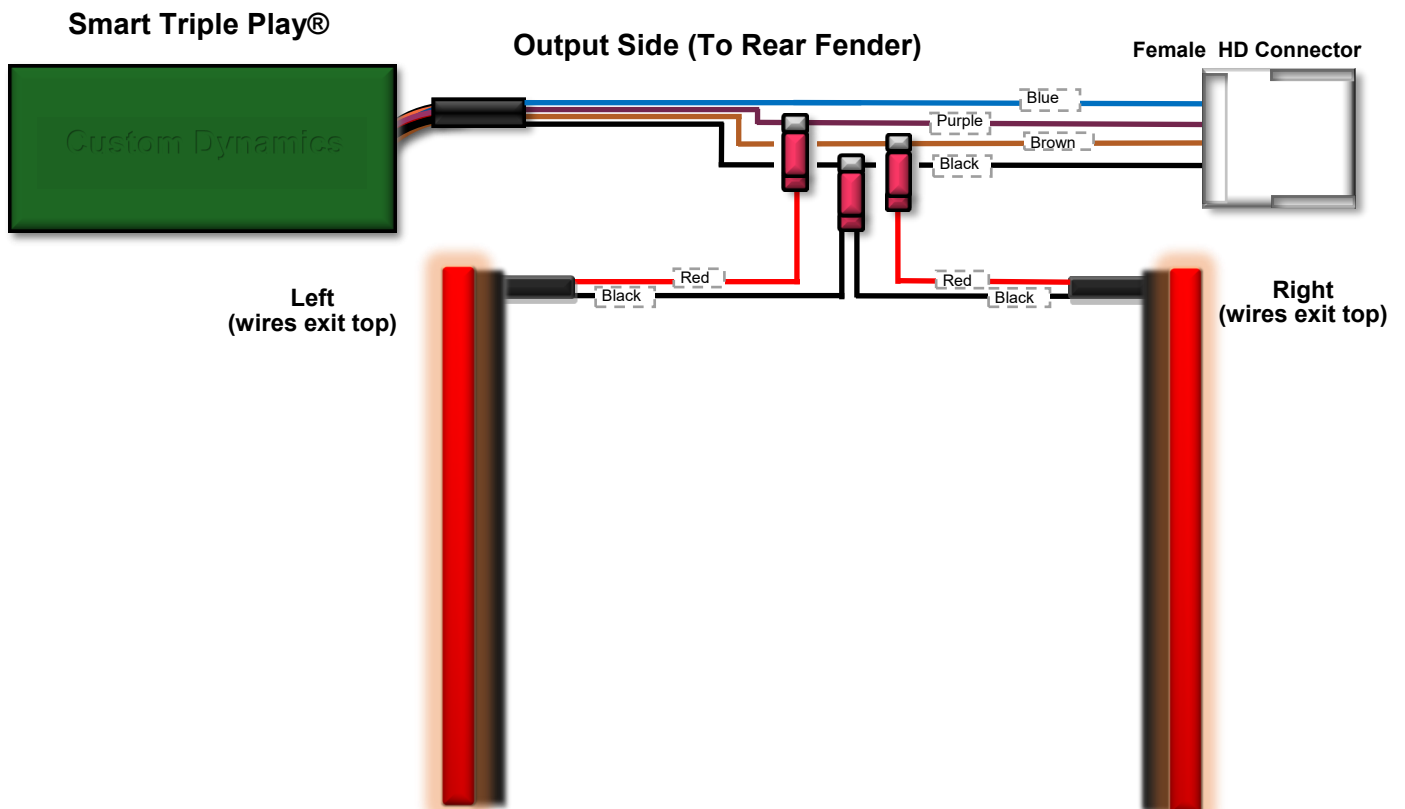
Questions? Call us at: 1 (800) 382-1388 M-TH 8:30AM-5:30PM / FR 9:30AM-5:30PM EST

Wiring Diagrams - Page 2.

Single Color Functioning as Brake/Turn with 2 Eclipse Modules (EPZ2)



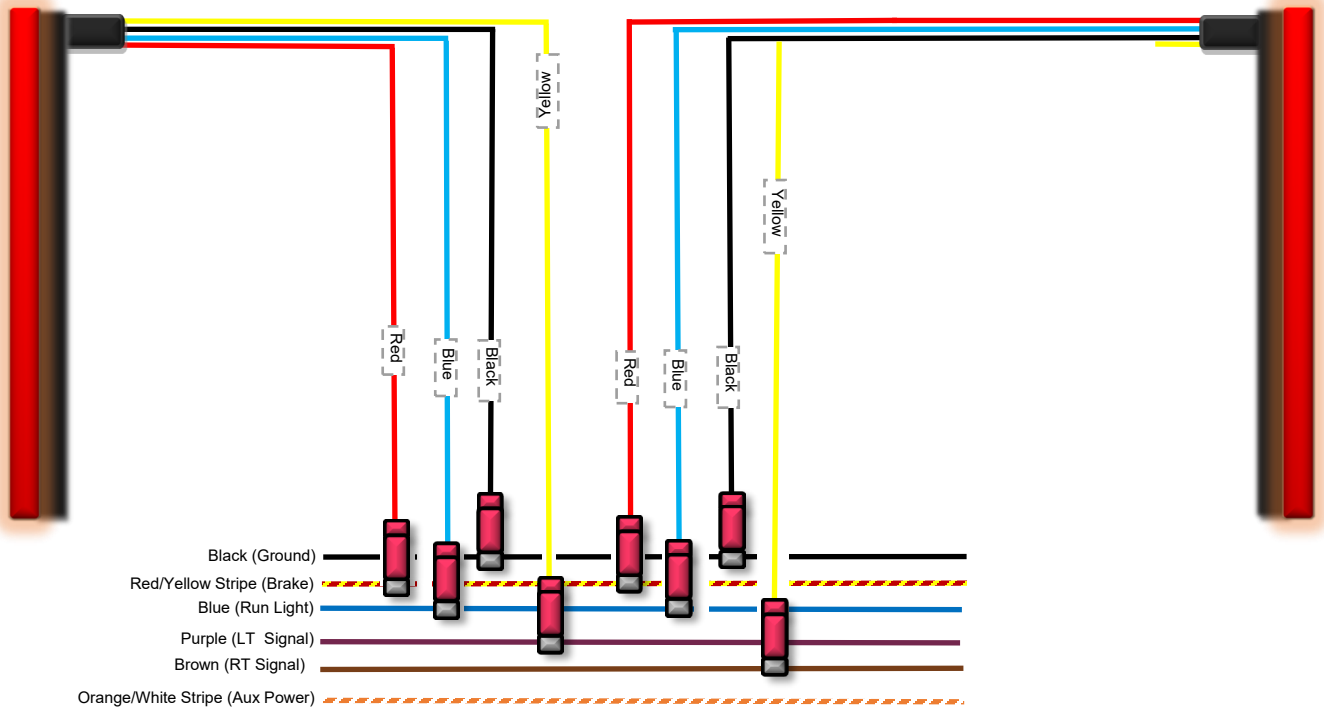
Single Color Functioning as Run, Brake, Turn with Smart Triple Play Module



Dual Color Functioning as Run, Brake, Turn = No Additional Modules

Left (wires exit top)

Right (wires exit top)



Bikes Rear Lighting Harness

(Located under the seat)