



## Custom Dynamics® TruBEAM® LED Headlamp Installation Instructions

We thank you for purchasing the Custom Dynamics® TruBEAM® LED headlamp! Our products utilize the latest technology and high quality components to ensure you the most reliable service. We offer one of the best warranty programs in the industry and we back our products with excellent customer support, if you have questions before or during installation of this product please call Custom Dynamics® at 1(800) 382-1388.

**Part Number: CDTB-575-B CDTB-575-C**

**Package Contents:**

- TruBEAM® LED Headlamp (1)
- Instructions

Fits: All Harley-Davidson® Sportster®, & 2017-Earlier Dyna® (except Switchback) & 2017-Earlier Softail® (except Rocker/Rocker C) Models with 5.75" OEM headlamp buckets. (Softails require adapter kit P/N: **CDTB575ADK**, sold separately)

Also fits some Chopper Models including Thunder Mountain, Big Bear Chopper, Big Dog, Boss Hoss, & American Ironhorse with 5.75" OEM headlamp buckets.

**Installation:**

1. Disconnect the vehicle battery negative [ - ] terminal.
2. Review detailed service manual for instructions on replacing factory headlamp.
3. Remove the factory headlamp from vehicle.
4. Before installing TruBEAM®, locate the vent on the rear of the unit and remove the rubber cover so that the vent will function properly.
5. Connect the TruBEAM® headlamp to the existing factory H4 plug and re-install according to your vehicles manual.
6. LED Halo (Optional): Locate the white wire on the back of the TruBEAM® headlamp. Power this wire by attaching it to accessory/running light power or to the CDTB-HLA (sold separately). See CDTB-HLA instructions for installation.

**Note:** If Halo light will not be used, the spade connector should be insulated to prevent shorting.

7. Re-assemble headlamp per the instructions in detailed factory service manual. Make sure no wire or any components of the harness can be pinched during installation and that they will not be exposed to water spray, excessive heat or moving parts.
8. Re-connect vehicle battery negative [ - ] terminal.
9. Test function of head lamp for hi and low function:
  - Stock function = When low beam is ON, hi beam is OFF, when hi beam is ON, low beam is OFF.
  - Function when Using CDTB-HLA = When low beam is ON, Hi beam is OFF. When hi beam is ON, low beam is ON.



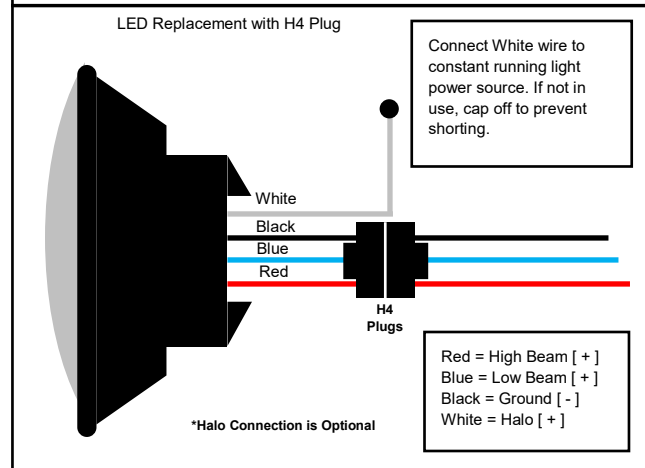
### ATTENTION

Please read all Information below before Installation

**Important:** Due to the increased light output from this unit, it is recommended you take the vehicle to a dealer to have the headlamp properly adjusted. Weight and tire pressure can affect the position of the light.

**Warning:** To prevent possible electrical shock, disconnect the negative Battery terminal before installing this product.

**Note:** We recommend the **CDTB-HLA Hi/Low Adapter** (sold separately) with this product to enable Low beam function during Hi-beam operation. It also gives you a convenient connection for the optional Halo ring LED.



**Questions? Call us at: 1 (800) 382-1388 M-TH 8:30AM-5:30PM / FR 9:30AM-5:30PM EST**