



## Custom Dynamics® Smart Triple Play® Installation Instructions

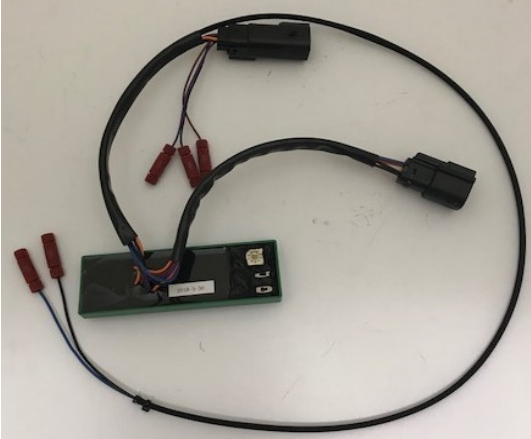
We thank you for purchasing the Custom Dynamics® Smart Triple Play®. Our products utilize the latest technology and high quality components to ensure you the most reliable service. We offer one of the best warranty programs in the industry and we back our products with excellent customer support, if you have questions before or during installation of this product please call Custom Dynamics® at 1(800) 382-1388.

**Part Number: GEN-SMART-TPU-14CVO**

### Package Contents:

- SMART Triple Play® Module with Posi-Lock™ Connectors
- Instructions

**Fits:** 2014-2021 Harley-Davidson® CVO™ Street Glide® (FLHXSE), 2014 CVO™ Road King® (FLHRXSE) and 2018-2021 CVO™ Road Glide® (FLTRXSE) with OEM LED Panels.



**ATTENTION**



### Installation:

**Note:** The Smart Triple Play® will cause the BAGZ™ and OEM LED Panels to have a full contrast turn signal flash and to flash/strobe when the brake is applied.

1. Secure motorcycle on level surface. Disconnect negative battery cable from the battery. Locate the rear lighting harness connector under the seat.
2. Plug the Smart Triple Play® Module, in-line, into the rear lighting harness under the seat. The MPR-BCM-PLUG plug and play adapter that is packaged with the BAGZ™ is **NOT** used during this installation *unless* your BAGZ™ are Sequential or Dual Color.

**Note:** If you have Sequential or Dual Color BAGZ™, the MPR-BCM-PLUG plug and play adapter will plug in before the Triple Play; skip to Step 6.

**Note:** Refer to the Wiring Diagram on page 2 for steps 3-5.

3. Cut and remove the 3 pin plug from each LED BAGZ™ light to expose the black, yellow, and brown (right side) or purple (left side) wires. Cap off the yellow wire from each BAGZ™ light.
4. Connect the pigtail output wires from the Smart Triple Play® using the supplied Posi-Lock™ connectors to the exposed black and brown (right side) or (left side) purple wires on the Custom Dynamics® BAGZ™ LEDs.
5. Connect the brown wire to the right side (brown) LED high wire [+]. Connect the purple wire to the left side (purple) LED high wire [+]. Connect the black wire of left side LED neg. and the right side LED neg. to the [ - ] black wire of the unit.
6. Locate the license plate light harness under the seat as shown in Picture 1.

### Please read all warning Information before Installation

**Important:** This system is designed to work with Custom Dynamics® BAGZ™ LED Lights only. They will not work with any Amber/Red or Sequential saddle bag lights.

**Caution:** This unit is designed for a maximum load of 27 watts per channel. Do not exceed 27 watts per left turn signal output, 27 watts per right turn signal output, and 27 watts per brake signal output. Overloading unit could cause damage to the unit and cause the unit to malfunction.

**Important:** Dial and switches should be maneuvered by hand only. Do not use any tool such as a screwdriver that could damage waterproof covers.

**Important:** Module must be secured after installation. Find safe area away from any moving parts and out of the way of normal operation of the bike. Use Tie-wraps, tape, (not included) or other means to secure. Custom Dynamics® is not liable for damage to the module or the bike as a result of improperly securing the module.

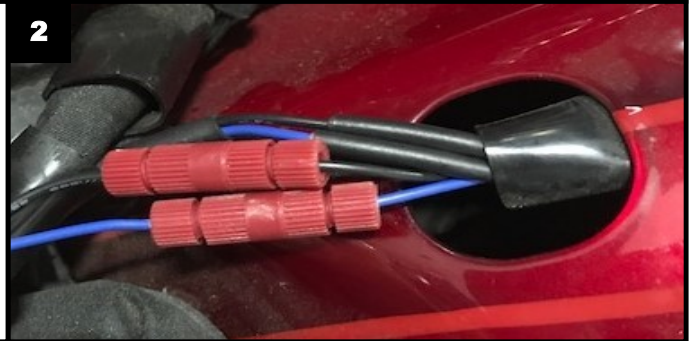
**1**



**Questions? Call us at: 1 (800) 382-1388 M-TH 8:30AM-5:30PM / FR 9:30AM-5:30PM EST**

## Installation Instructions - Page 2

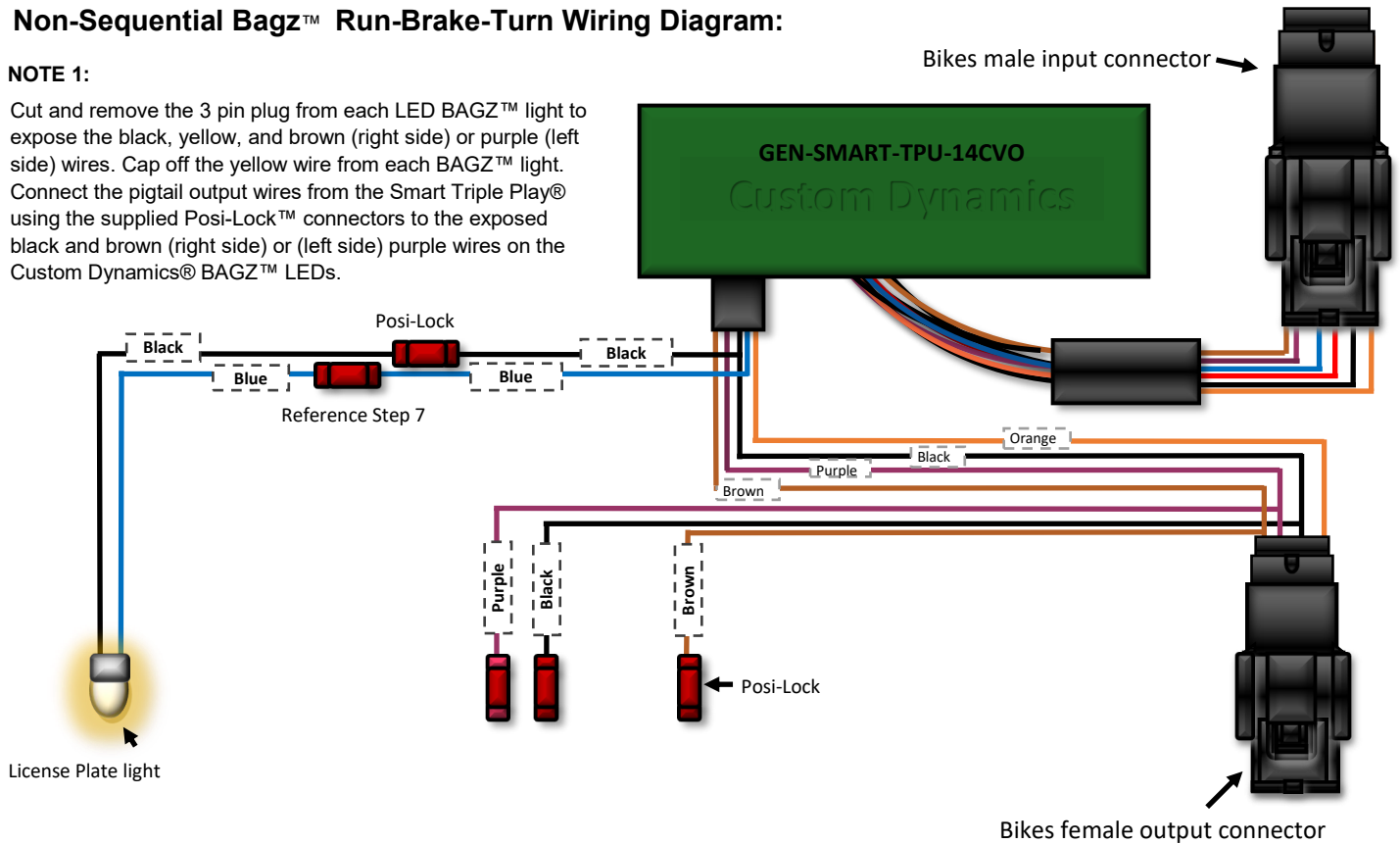
7. Cut the license plate light harness and connect the Blue and Black wires with the Posi-Lock™ installed on the Smart Triple Play® to side of the license plate harness going to the license plate light. Cap off the other side of the license plate harness wires with heat shrink and tuck it into factory conduit as shown in Picture 2.
8. Re-connect the battery's negative battery cable to the battery.
9. Locate a secure place for the Smart Triple Play® unit that will not interfere with the secure placement of the seat or side cover. Secure with tie-wraps, tape or other means so the unit will not move.
10. Perform a BCM sync by turning the ignition on, turn the 4 way hazards on, turn the ignition off. Allow the 4 way hazards to run for 3-4 minutes. Turn the ignition on. Turn the 4 way hazards off. Turn the ignition off.



### Non-Sequential Bagz™ Run-Brake-Turn Wiring Diagram:

#### NOTE 1:

Cut and remove the 3 pin plug from each LED BAGZ™ light to expose the black, yellow, and brown (right side) or purple (left side) wires. Cap off the yellow wire from each BAGZ™ light. Connect the pigtail output wires from the Smart Triple Play® using the supplied Posi-Lock™ connectors to the exposed black and brown (right side) or (left side) purple wires on the Custom Dynamics® BAGZ™ LEDs.

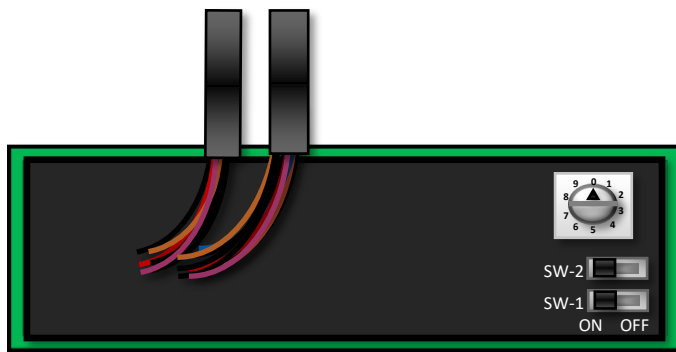


### Initial Setup & Operation

10. Locate the two switches and rotary dial. Be sure the rotary dial is set to position 0. Note there is a small arrow on the dial, this is the pointer that should now be at position 0. Be sure Switch 1 and Switch 2 are both in the ON position. (See Diagram on Page 3)
11. Turn the ignition key on and check operation as follows:
  - Running Lights: Turn Signals and Taillight (if applicable) are now illuminated dimly.
  - Apply Right Turn Signal and check operation of right turn signal, should flash off to bright. Disable turn.
  - Apply Left Turn Signal and check operation of left turn signal, should flash off to bright. Disable turn.
  - Apply Brake Light. Check to see that all lights flash 4 times then remain bright.
  - Apply Left Turn Signal then Apply Brake. Check to see that Only Center Light Flashes 4 times then remains bright. If no center tail light is applicable, when the Left turn signal is on and the brake is applied, the right side turn signal will stop strobing. This is normal operation.

Questions? Call us at: 1 (800) 382-1388 M-TH 8:30AM-5:30PM / FR 9:30AM-5:30PM EST

## Installation Instructions - Page 3



11. The Smart Triple Play® allows you to program the running light brightness of the rear turn signals.

### Program Turn Signal Intensity

#### 2019 and earlier models

- Turn ignition key off, be sure Switch 1 and Switch 2 are in the OFF position and the Rotary Dial in in the 0 position.
- Turn ignition key on, immediately turn Switch 2 On-Off-On. Then turn Switch 1 On-Off-On. Do not depress Brake or Turn Signals during this action.
- The turn signals should now slowly fade from dim to bright, do not proceed unless this confirmation takes place.

**Option 1** - Turn the rotary dial clockwise to increase the brightness of the running lights, 0-being the dimmest setting and 8-being the brightest. Match the running light brightness to the taillight. Once happy with the setting, press and hold the brake for a couple of seconds. The setting will now be saved.

**NOTE:** Setting 9 on the rotary dial will not be used on these models. Programming the SMART Triple Play® to setting 9 will cause the bike to lose run light function on all rear lighting.

12. Turn ignition key OFF and set switches for desired strobe operation

#### 2020 and later models

- Turn ignition key off, be sure Switch 1 and Switch 2 are in the OFF position and the Rotary Dial in in the 0 position.
- Disconnect input side of Triple Play from bikes front harness.
- Turn ignition key on.
- Reconnect input plugs of the Triple Play to the bikes front harness.
- Immediately turn Switch 2 On-Off-On. Then turn Switch 1 On-Off-On. Do not depress Brake or Turn Signals during this action.
- The turn signals should now slowly fade from dim to bright, do not proceed unless this confirmation takes place.

**Option 1** - Turn the rotary dial clockwise to increase the brightness of the running lights, 0-being the dimmest setting and 8-being the brightest. Match the running light brightness to the taillight. Once happy with the setting, press and hold the brake for a couple of seconds. The setting will now be saved.

**NOTE:** Setting 9 on the rotary dial will not be used on these models. Programming the SMART Triple Play® to setting 9 will cause the bike to lose run light function on all rear lighting.

12. Turn ignition key OFF and set switches for desired strobe operation.

### 13. Clear DTC's (Diagnostic Trouble Codes)

- Press and hold the trip odometer reset switch located on the left handlebar control, while turning the *IGN ON*.
- Release the trip odometer reset switch when "DIAG" appears on the ODOMETER DISPLAY.
- Press and release the trip odometer reset switch until "BCM" is displayed on the odometer display. "BCM Y" = Yes DTC set. "BCM N" = No DTC set.
- If "BCM Y" is displayed, press and hold the trip odometer reset switch until the code is displayed and release.
- Press and hold the odometer reset switch while the DTC is displayed until "CLEAR" appears on odometer display.
- Turn the IGN OFF to exit the diagnostic mode.

**Questions? Call us at: 1 (800) 382-1388 M-TH 8:30AM-5:30PM / FR 9:30AM-5:30PM EST**

# Installation Instructions - Page 3

## Strobe Operation Menu

### Switch Functions:

Switch 1 On, Switch 2 On: Strobes/Flashes on all three Rear Lights

Switch 1 On, Switch 2 Off: Strobes/Flashes on rear turn signals only

Switch 1 Off, Switch 2 On: Strobes/Flashes on center light only

Switch 1 Off, Switch 2 Off: No Strobes/Flashes

**Dial Strobe Functions:** (Note that Patterns 0-3 are compatible with incandescent bulbs) See Diagram below.

### Flash Pattern Information:

