



Custom Dynamics® Indian® Passing Lamp Adapters Installation Instructions

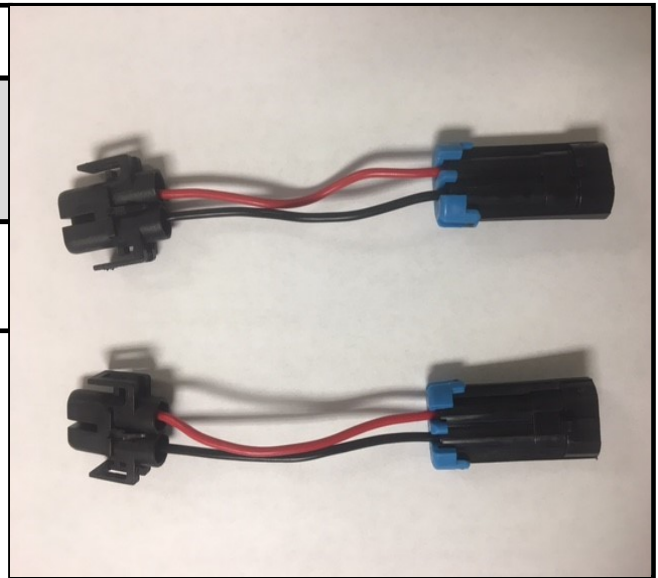
We thank you for purchasing the Custom Dynamics® Indian® Passing Lamp Adapters! Our products utilize the latest technology and high quality components to ensure you the most reliable service. We offer one of the best warranty programs in the industry and we back our products with excellent customer support, if you have questions before or during installation of this product please call Custom Dynamics® at 1(800) 382-1388.

Part Number: CDTB-IPLA

Package Contents:

- Passing Lamp Adapters (pair)
- Instructions

Fits: 2015-2019 Indian® Roadmaster®, Roadmaster® Classic, Roadmaster® Elite.



ATTENTION



Please read all Information below before Installation

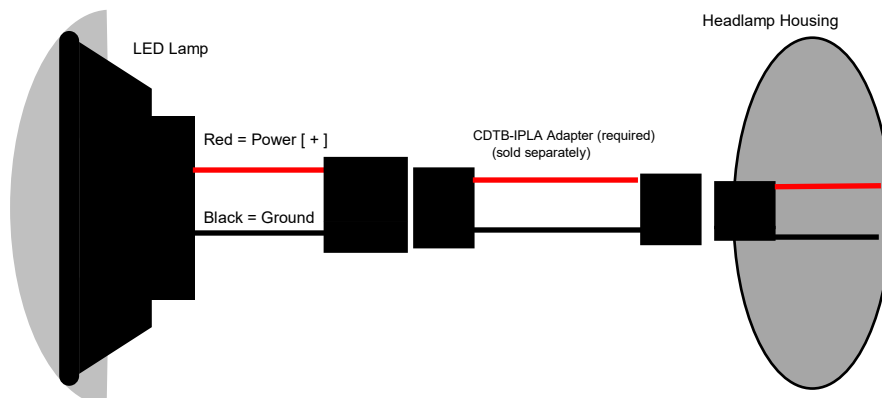
Important: Park motorcycle on a hard level surface, turn off ignition.

Caution: Disconnect the Negative [-] battery cable from the battery before starting the installation procedure. Failure to do this may result in electrical shock, potential damage to product and/or damage to the bike.

Note: Secure all wiring away from sensitive areas, moving parts, pinch points and extreme heat. Damage to units caused by pinched, broken, frayed, melted or improperly crimped wires will not be covered under warranty.

Installation

1. Install the (required) CDTB-IPLAs male plug to the TruBEAM® passing lamp and the CDTB-IPLA's female plug to the bike's headlamp harness.
2. Re-assemble the bike's fairing per the instructions in detailed factory service manual. Make sure to connect the CDTB-IPLA female plug to the existing factory connections. See diagram below. Ensure no wires or any components of the harness or adapter can be crushed or pinched during installation.



Questions? Call us at: 1 (800) 382-1388 M-TH 8:30AM-5:30PM / FR 9:30AM-5:30PM