



Custom Dynamics® Billet Bullet Turn Signals Installation Instructions

We thank you for purchasing the Custom Dynamics® Billet Bullet Turn Signals. Our products utilize the latest technology and high quality components to ensure you the most reliable service. We offer one of the best warranty programs in the industry and we back our products with excellent customer support, if you have questions before or during installation of this product please call Custom Dynamics® at 1(800) 382-1388.

Part Numbers:

Drag Sponsored Item #'s:	CD Exclusive Item #'s:	
2020-0581 (CDBB-13)	CDBB-2	CDBB-12
2040-1312 (CDBB-15)	CDBB-4	CDBB-14
2040-1232 (MBB-20)	CDBB-8	CDBB-16
2040-1233 (MBB-21)	CDBB-10	
2040-1234 (MBB-22)		
2040-1235 (MBB-23)		

Optional: CD-TC Mounting Tube Clamps (sold separately)

Package Contents:

- Billet Bullet Turn Signals (pair)

Fits: Universal Fitment



ATTENTION

Please read all Information below before Installation

Warning: Disconnect negative battery cable from battery; refer to owner's manual. Failure to do so may result in electrical shock, injury or fire. Secure negative battery cable away from positive side of battery and all other positive voltage sources on vehicle.

Safety First: Always wear appropriate safety gear including safety glasses when performing any electrical work. It is highly recommended that safety glasses be worn throughout this installation process. Be sure vehicle is on level surface, secure and cool.

Important: The Billet Bullet assemblies are constructed in a sealed, watertight housing. Do not attempt to open the housing or remove the mounting stud from the housing, doing so will compromise the seal and will no longer be watertight. Opening the housing or any other modification to this product will void the manufacturer warranty.

Important: When mounting through fender walls, please make sure that the mounting stud/wiring has enough space so that it will not come in contact with the tire. Trimming the stud is not an option as this will void the water seal and possibly harm the wiring.

Note: When using mounting clamps, please note mounting studs are 5/16" in diameter, slight modification or enlargement of the clamp mounting hole may be required.

Note: Some wiring knowledge is required for this installation. Consult your vehicle detailed service manual for wiring information and color codes. Use a meter or test light to verify wiring before tapping any vehicle wiring. If the steps contained within are beyond your skillset, do not attempt installation, contact a qualified mechanic or dealership to assist you.

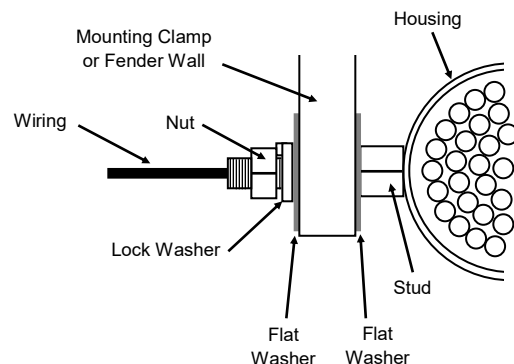
Note: Depending on vehicle and application you may experience fast flashing or no flashing from your turn signals after installation. If so, a load equalizer or Signal Stabilizer™ is recommended. Contact us for details.



General Installation

1. Determine desired place to mount the Billet Bullets. Please read the information in the Attention column before beginning installation.
2. Carefully unpack Billet bullets from the package, careful to not pull on any wires or damage the billet surface.
3. Before installation it is recommended to test the LEDs away from the vehicle with an independent power source such as a 9-12V battery or DC power supply to ensure product is functioning properly.
4. Guide the wires through the hardware and mounting clamp or fender wall and secure the mounting stud as shown below. Make sure the desired angle of the housing is correct before tightening.
5. Route wiring to the point of termination, use the vehicle's wire harness to attach to with tie-wraps (not included). Make sure wiring does not come in contact with any moving or high heat parts. Ensure wiring cannot be pinched, cut or frayed.
6. See next page for wiring instructions.

Installation Diagram



Questions? Call us at: 1 (800) 382-1388 M-TH 8:30AM-5:30PM / FR 9:30AM-5:30PM EST

Installation Instructions - Page 2

Wiring Instructions

The wiring for all Billet Bullet turn signals is basically the same for each version, except for the variances in operation. Each type of function is divided into the diagram groups below. It is recommended to use a tap style connector (not included) to connect wiring to the vehicle or to solder and cover with shrink tubing. Posi-Tap™ connectors are available through Custom Dynamics® if installation supplies are not available in your area. Contact us for more details.

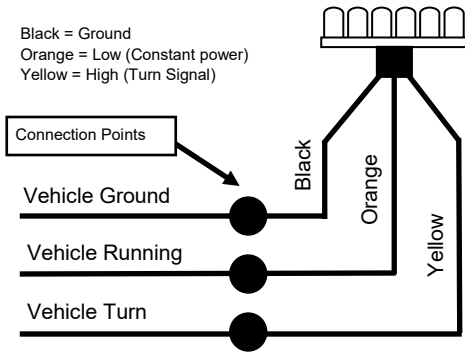
Note: Some wiring knowledge is required for this installation. Consult your vehicle detailed service manual for wiring information and color codes. Use a meter or test light to verify wiring before tapping into any vehicle wiring. If the steps contained within are beyond your skillset, do not attempt installation, contact a qualified mechanic or dealership to assist you.

Amber Clusters (Front or Rear)

For Models:

CDBB-2, CDBB-8, MBB-20, MBB-22

Black = Ground
Orange = Low (Constant power)
Yellow = High (Turn Signal)



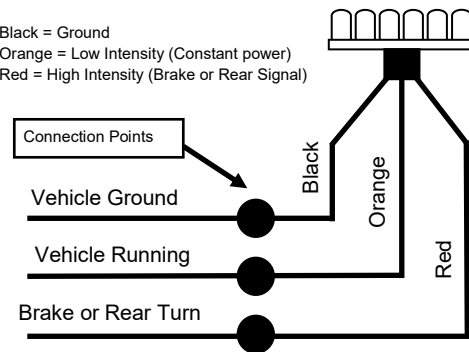
* Note: single function rear will not use orange wire. Be sure to cap off to prevent shorting.

Red Clusters (Rear Only)

For Models:

CDBB-4, CDBB-10, MBB-21, MBB-23

Black = Ground
Orange = Low Intensity (Constant power)
Red = High Intensity (Brake or Rear Signal)



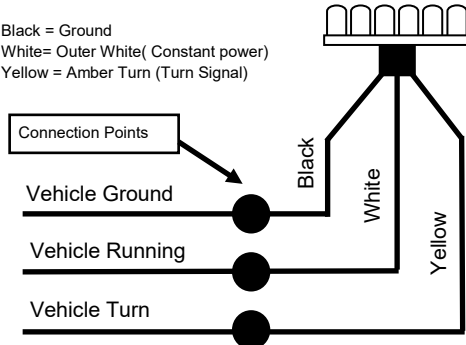
* Note: single function rear or using with RBT module, do not use orange wire. Be sure to cap off to prevent shorting.

Amber/White Clusters (Front Only)

For Models:

CDBB-13, CDBB-14

Black = Ground
White = Outer White (Constant power)
Yellow = Amber Turn (Turn Signal)



Amber/Red Clusters (Rear Only)

For Models:

CDBB-12, CDBB-15, CDBB-16

Black = Ground
Orange = Low (Constant power)
Red = High (Brake Signal)
Yellow = High (Turn Signal)

