



Custom Dynamics® High/Low Adapter Installation Instructions

We thank you for purchasing the Custom Dynamics® High/Low Adapter! Our products utilize the latest technology and high quality components to ensure you the most reliable service. We offer one of the best warranty programs in the industry and we back our products with excellent customer support, if you have questions before or during installation of this product please call Custom Dynamics® at 1(800) 382-1388.

Part Number: CDTB-HLA-2

Package Contents:

- Headlamp Adapter Assembly (1)

Fits: Use with 5.75" Custom Dynamics® TruBEAM® Headlamp



ATTENTION



Please read all Information below before Installation

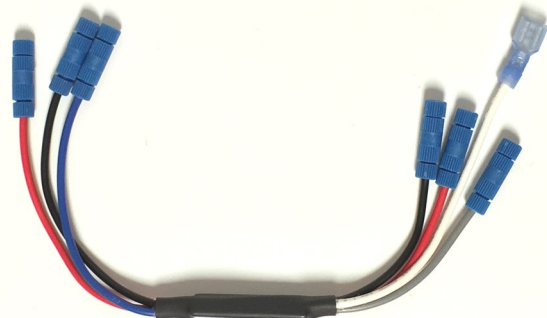
Function Note: This Adapter allows Low beam function during High beam operation. This increases total light output on high beam.

Important: Make sure no wire or any components of the harness can be pinched during installation and that they will not be exposed to water spray, excessive heat or moving parts.

Note: Some minor wiring knowledge will be needed to install this product. Consult your vehicle detailed service manual for details on replacing the headlamp to gain access to installation area. If the steps contained within are beyond your skillset, do not attempt installation, contact a qualified mechanic or dealership to assist you.

Safety First: Always wear appropriate safety gear including safety glasses when performing any electrical work. It is highly recommended that safety glasses be worn throughout this installation process. Be sure vehicle is on level surface, secure and cool.

Warning: Disconnect negative battery cable from battery; refer to owner's manual. Failure to do so may result in electrical shock, injury, or fire. Secure negative battery cable away from positive side of battery and all other positive voltage sources on vehicle.



Posi-Lock™ Connectors

EASY AS ① ② ③

① Strip wire 1/2"



② Insert



③ Hand tighten



Installation

1. Follow the instructions in the TruBEAM™ Headlamp installation guide for installing headlamp.
2. Verify Headlamp function wire colors in the harness before making any cuts. Refer to the manufacturers detailed service manual for wire colors and use a meter or test light to confirm high, low and ground functions. Decide whether to install inside the headlamp bucket or to access the wiring harness from outside the bucket depending on space.

Questions? Call us at: 1 (800) 382-1388 M-TH 8:30AM-5:30PM / FR 9:30AM-5:30PM EST

Installation Instructions - Page 2

3. Cut the 3 wires Ground, High beam, and low beam at the desired location.

NOTE: The installation can be performed on the headlight harness between the headlight and the H4 headlight plug.

4. Strip back enough insulation on the wires then Install the HLA adapter as follows:

HLA Output Side (4 Wire headlamp side)

- A. Insert the ground wire from the headlamp harness side into the blue Posi-lock connector on the BLACK wire.
- B. Insert the Low beam wire from the headlamp harness side into the blue Posi-Lock connector on the GRAY wire.
- C. Insert the high beam wire from the headlamp harness side into the blue Posi-Lock connector on the RED wire.
- D. Optional: Halo light Power. If halo function is desired on headlamp, Plug the spade connector from the WHITE wire on the HLA adapter onto the spade connector located on the TruBEAM™ headlamp.

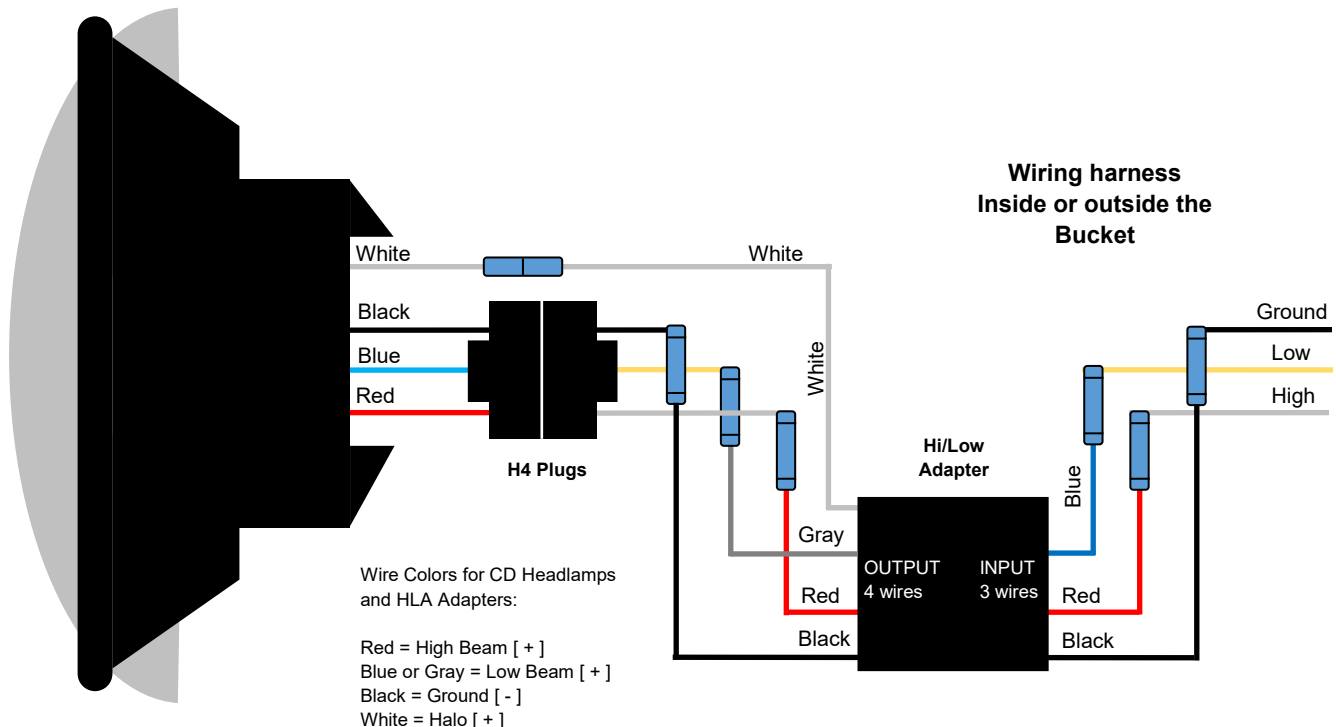
HLA Input Side (3 Wire bike side)

- A. Insert the ground wire from the bike harness side into the blue Posi-Lock connector on the BLACK wire.
- B. Insert the Low beam wire from the bike harness side into the blue Posi-Lock connector on the BLUE wire.
- C. Insert the High beam wire from the bike harness side into the blue Posi-Lock connector on the RED wire.

5. Make sure all Posi-tap connectors are tight and secure.

6. Finish installation of the TruBEAM™ headlamp.

7. Connect the power back to the bike and test function. The Low beam will now stay on when high beam is engaged.



Questions? Call us at: 1 (800) 382-1388 M-TH 8:30AM-5:30PM / FR 9:30AM-5:30PM EST